

## SOLID STATE LIGHTING

# RAZAR BOLLARD-LED

## S P E C I F I C A T I O N S

### OPTICAL HOUSING

Heavy cast low copper aluminum (A356 alloy; <0.2% copper) assembly with integral cooling fins. The Optical Panel mounting surface is milled flat (surface variance  $\pm .003"$ ) to facilitate thermal transfer of heat to housing and cooling fins. Minimum wall thickness is .188".

### SHAFT & BASE

Extruded aluminum (6061-T6 alloy) riser welded to heavy cast aluminum (A356 alloy; <0.2% copper) base. Riser has minimum wall thickness of .188". Electrical assembly including LED mains driver, LED Emergency driver (optional LED-EM) with batteries, and quick connectors suspended inside riser. Concealed bolts attach the Optical Housing bolts to Riser.

### ANCHOR BOLTS

Four 3/8" x 10" x 2" galvanized anchor bolts with couplings, leveling nuts, washers, template, and stainless bolts.

### PLED™ OPTICAL MODULES

Emitters (LED's) are arrayed on a metal core PCB panel with each emitter located on a copper thermal transfer pad and enclosed by an LED refractor. The asymmetric distributions have a micro-reflector inside the refractor that re-directs the house side emitter output towards the street side and functions as a house side shielding element. Refractors are injection molded H12 acrylic. Each LED refractor is sealed to the PCB over an emitter and all refractors are retained by an aluminum frame. All refractors in a Panel have the same optical pattern. LED refractors produce standard site/area distributions - Type II, and Type IV. Panels are field replaceable and field rotatable in 90° increments.

### LED DRIVER(S)

Constant current electronic with a power factor of >.90 and a minimum operating temperature of -40°F/-40°C. Driver(s) is/are UL and cUL recognized and mounted directly against the Electrical Housing to facilitate thermal transfer, held down by universal clamps to facilitate easy removal. In-line terminal blocks facilitate wiring between the driver and optical arrays. Drivers accept an input of 120-277V, 50/60Hz or 347V-480V, 50,60Hz. (0 - 10V dimmable driver is standard. Driver has a minimum of 3KV internal surge protection. Luminaire supplied with 20KV surge protector for field accessible installation.)

### LED EMITTERS

High output LED's are utilized with drive currents ranging from 175mA to 350mA. 70CRI Minimum. LED's are available in standard Neutral White (4000K), or optional Cool White (5000K) or Warm White (3000K). Consult Factory for other LED options.

### AMBER LED's

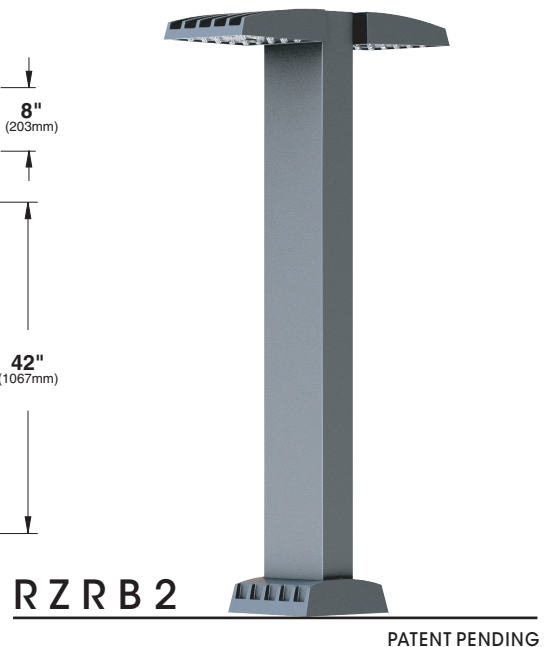
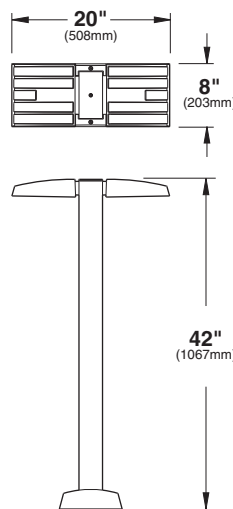
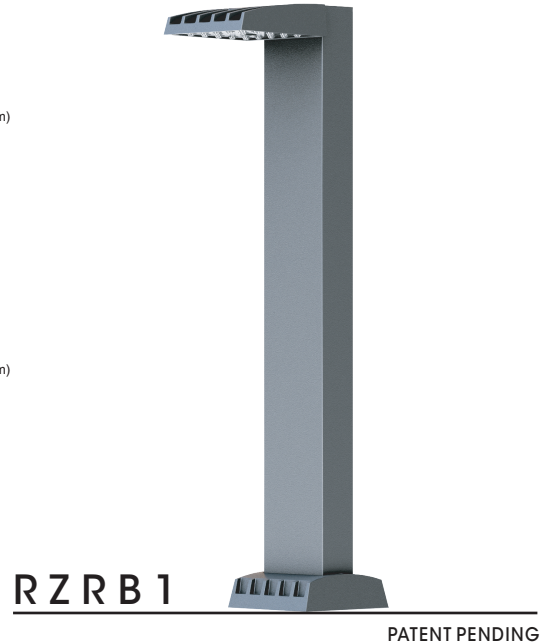
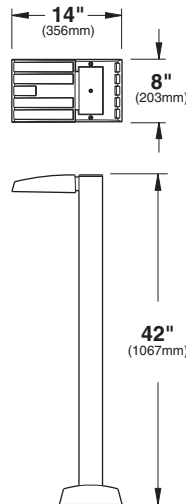
**PCA** (Phosphor Converted Amber) LED's utilize phosphors to create color output similar to LPS lamps and have a slight output in the blue spectral bandwidth. **TRA** (True Amber) LED's utilize material that emits light in the amber spectral bandwidth only without the use of phosphors.

### FINISH

Electrostatically applied TGIC Polyester Powder Coat on substrate prepared with 20 PSI power wash at 140°F. Four step media blast and iron phosphate pretreatment for protection and paint adhesion. 400°F bake for maximum hardness and durability.

PROJECT NAME: \_\_\_\_\_

FIXTURE TYPE: \_\_\_\_\_

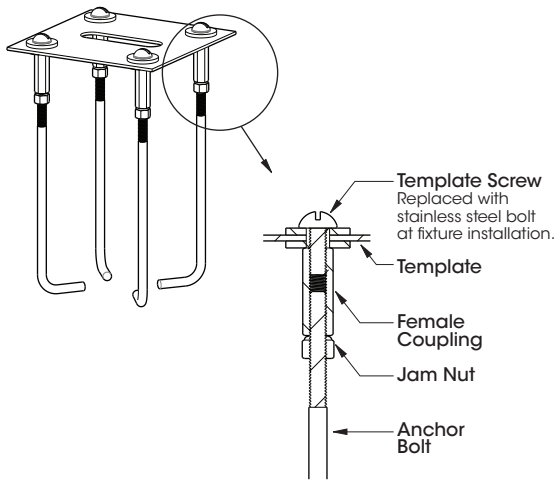


2023080

# RAZAR BOLLARD SERIES - LED

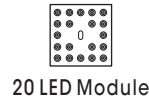
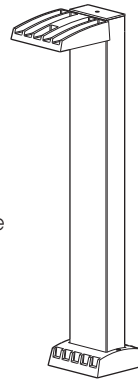
## S P E C I F I C A T I O N S

### ANCHOR BOLT ASSEMBLY

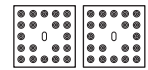
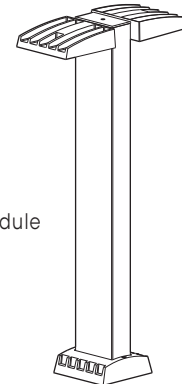


### PLED® MODULES

**RZRB1**  
Available in:  
20 LED Module



**RZRB2**  
Available in:  
2 X 20 LED Module



### OVERVIEW

PRECISE CAST ALUMINUM LED MODULE. HOUSING IS VENTED TO PROVIDE AIR FLOW FOR THERMAL MANAGEMENT.

LED DRIVER ACCEPTS FROM 100-277 VAC INPUT VOLTAGE.

### MAX INPUT WATTAGE

# OF LED'S	DRIVE CURRENT			
	175mA	HID EQUIV. 50W	350mA	HID EQUIV. 70W
40	22W	50W	44W	70W
20	12W	50W	22W	70W

Spec/Order Example: RZRB1/PLED-IV/20LED-350mA/CW/277/RAL-8019-S/DF

## S P E C / O R D E R I N G I N F O R M A T I O N

MODEL	OPTICS	LED MODE			FINISH	OPTIONS
MODEL	OPTICS	LED	LED		FINISH	OPTIONS
<input type="checkbox"/> RZRB1	<input type="checkbox"/> TYPE II PLED-II .....	<b>No. LEDs</b> RZRB1 <sup>1</sup> <input type="checkbox"/> 20LED	<b>DRIVE CURRENT</b> <input type="checkbox"/> 175mA <sup>1</sup> <input type="checkbox"/> 350mA	<b>COLOR</b> <input type="checkbox"/> NW (4000K)* *STANDARD <input type="checkbox"/> CW (5000K) <input type="checkbox"/> WW (3000K)	<b>STANDARD TEXTURED FINISH</b> <input type="checkbox"/> BLACK RAL-9005-T <input type="checkbox"/> WHITE RAL-9003-T <input type="checkbox"/> GREY RAL-7004-T <input type="checkbox"/> DARK BRONZE RAL-8019-T <input type="checkbox"/> GREEN RAL-6005-T	<input type="checkbox"/> HOUSE SIDE SHIELDING ..... <b>HS-PLED</b> <input type="checkbox"/> HIGH-LOW DIMMING FOR SWITCHING BY OTHERS/SELECT LEVELS 50/100 OR 25/100 (EXAMPLE: HLSW/25) ..... <b>HLSW</b> <input type="checkbox"/> SINGLE FUSE (120V & 277V) ..... <b>SF</b> <input type="checkbox"/> DOUBLE FUSE (208V & 240V) ..... <b>DF</b> <input type="checkbox"/> EMERGENCY BACKUP ... <b>EM-RZRB</b> <small>THE EM-LED SYSTEM PROVIDES POWER TO THE LED ARRAY TO MEET THE FOLLOWING LIGHT LEVELS FOR A MINIMUM OF 90 MINUTES: RZRB1 = 90% @ 175mA RZRB1 = 45% @ 350mA RZRB2 = 50% @ 175mA RZRB2 = 36% @ 350mA</small>
<input type="checkbox"/> RZRB2	<input type="checkbox"/> TYPE II FRONT ROW PLED-II-FR ..... <input type="checkbox"/> TYPE III MED. PLED-III-M ..... <input type="checkbox"/> TYPE III WIDE PLED-III-W ..... <input type="checkbox"/> TYPE IV PLED-IV ..... <input type="checkbox"/> TYPE IV PLED-IV-FT .....	<b>RZRB2</b> <input type="checkbox"/> 40LED			<input type="checkbox"/> EMERGENCY BACKUP ... <b>EM-RZRB</b> <small>THE EM-LED SYSTEM PROVIDES POWER TO THE LED ARRAY TO MEET THE FOLLOWING LIGHT LEVELS FOR A MINIMUM OF 90 MINUTES: RZRB1 = 90% @ 175mA RZRB1 = 45% @ 350mA RZRB2 = 50% @ 175mA RZRB2 = 36% @ 350mA</small>	
					<b>OPTIONAL HEIGHTS:</b> <input type="checkbox"/> 30" <input type="checkbox"/> 36"	

NOTES:  
1 - DIMMING NOT AVAILABLE IN RZRB1 AT 175mA DRIVE CURRENT.  
2 - NARROW BAND AMBERS HAVE NO DEFINABLE CCT EQUIVALENT



# RAZAR BOLLARD-LED

## LAMP/ELECTRICAL GUIDE

LED COUNT	SOURCE TYPE	SOURCE	INITIAL LUMENS - 4000K	INITIAL LUMENS - 3000K	INITIAL LUMENS - 5000K	L70 GREATER THAN (HR)	STARTING TEMP.	SYSTEM WATTS	VOLTS	MAX INPUT AMPS
20	LED	20 PLED® Optical Module - 175mA	1,401 - 1,404	1,226 - 1,229	1,434 - 1,438	60,000+	-20°F	12	120 277	0.24 0.10
20	LED	20 PLED® Optical Module - 350mA	2,501 - 2,508	2,190 - 2,196	2,561 - 2,568	60,000+	-20°F	22	120 277	0.34 0.15
40	LED	40 PLED® Optical Module - 175mA	2,801 - 2,808	2,452 - 2,459	2,561 - 2,568	60,000+	-20°F	22	120 277	0.38 0.17
40	LED	40 PLED® Optical Module - 350mA	5,002 - 5,015	4,379 - 4,391	5,122 - 5,136	60,000+	-20°F	44	120 277	0.38 0.17

### NOTES:

1. Max Input Amps is the highest of starting, operating, or open circuit currents
2. Lumen values for LED Modules vary according to the distribution type
3. System Watts includes the source watts and all driver components.
4. Fuse value should be sufficient to protect all wiring components. For electronic driver and LED component protection, use 10KV - 20KV surge suppressors.
5. L70(10K) - TM-21 6x rule applied

**WARNING:** All fixtures must be installed in accordance with local codes or the National Electrical Code. Failure to do so may result in serious personal injury.





Catalog #: \_\_\_\_\_

Project: \_\_\_\_\_

Prepared By: \_\_\_\_\_

Date: \_\_\_\_\_

# Mirada Small Area (MRS)

## Outdoor LED Area Light



OVERVIEW	
Lumen Package	6,000 - 30,000
Wattage Range	39 - 209
Efficacy Range (LPW)	112 - 163
Weight lbs(kg)	20 (9.1)
Control Options	IMSBT, ALB, ALS, 7-Pin, PCI

### QUICK LINKS

[Ordering Guide](#)
[Performance](#)
[Photometrics](#)
[Dimensions](#)

## FEATURES & SPECIFICATIONS

### Construction

- Rugged die-cast aluminum housing contains factory prewired driver and optical unit. Cast aluminum wiring access door located underneath.
- Fixtures are finished with LSI's DuraGrip® polyester powder coat finishing process. The DuraGrip finish withstands extreme weather changes without cracking or peeling. Other standard LSI finishes available. Consult factory.
- Shipping weight: 27 lbs in carton.

### Optical System

- State-of-the-Art one piece silicone optic sheet delivers industry leading optical control with an integrated gasket to provide IP66 rated seal.
- Proprietary silicone refractor optics provide exceptional coverage and uniformity in distribution types 2, 3, 4, 5W, FT, and LC/RC.
- Silicone optical material does not yellow or crack with age and provides a typical light transmittance of 93-95%.
- Zero uplight.
- Available in 5000K, 4000K, and 3000K color temperatures per ANSI C78.377
- Minimum CRI of 70.
- Integral louver (IL) and integral half louver (IH) options available for enhanced backlight control.

### Electrical

- High-performance driver features over-voltage, under-voltage, short-circuit and over temperature protection.

- 0-10V dimming (10% - 100%) standard.
- Standard Universal Voltage (120-277 VAC) Input 50/60 Hz or optional High Voltage (347-480 VAC).
- L70 Calculated Life: >60k Hours
- Total harmonic distortion: <20%
- Operating temperature: -40°C to +50°C (-40°F to +122°F). 30L lumen packages rated to +40°C.
- Power factor: >.90
- Input power stays constant over life.
- Field replaceable 10kV surge protection device meets a minimum Category C Low operation (per ANSI/IEEE C62.41.2).
- High-efficacy LEDs mounted to metal-core circuit board to maximize heat dissipation
- Driver is fully encased in potting material for moisture resistance and complies with FCC standards. Driver and key electronic components can easily be accessed.

### Controls

- Optional integral passive infrared Bluetooth™ motion and photocell sensor. Fixtures operate independently and can be commissioned via iOS or Android configuration app.
- LSI's AirLink™ wireless control system options reduce energy and maintenance costs while optimizing light quality 24/7.

### Installation

- Designed to mount to square or round poles.
- A single fastener secures the hinged door,

underneath the housing and provides quick & easy access to the electrical compartment.

- Included terminal block accepts up to 12 ga. wire.
- Utilizes LSI's traditional B3 drill pattern.

### Warranty

- LSI luminaires carry a 5-year limited warranty. Refer to <https://www.lsicorp.com/resources/terms-conditions-warranty/> for more information.

### Listings

- Listed to UL 1598 and UL 8750.
- Meets Buy American Act requirements.
- IDA compliant; with 3000K color temperature selection.
- Title 24 Compliant; see local ordinance for qualification information.
- RoHS compliant
- Suitable for wet locations.
- IP66 rated Luminaire per IEC 60598-1.
- 3G rated for ANSI C136.31 high vibration applications are qualified.
- IK08 rated luminaire per IEC 66262 mechanical impact code
- DesignLights Consortium® (DLC) qualified product. Not all versions of this product may be DLC qualified. Please check the DLC Qualified Products List at [www.designlights.org/QPL](http://www.designlights.org/QPL) to confirm which versions are qualified.

# Mirada Small Area Light (MRS)

Type: \_\_\_\_\_

 Have questions? Call us at (800) 436-7800

## ORDERING GUIDE

[Back to Quick Links](#)

### TYPICAL ORDER EXAMPLE: MRS LED 18L SIL FT UNV DIM 40 70CRI ALBCS1 BLK IH

Prefix	Light Source	Lumen Package	Lens	Distribution	Orientation <sup>2</sup>	Voltage	Driver
MRS - Mirada Small Area Light	LED	<b>6L</b> - 6,000 lms, 39W <b>9L</b> - 9,000 lms, 63W <b>12L</b> - 12,000 lms, 86W <b>15L</b> - 15,000 lms, 111W <b>18L</b> - 18,000 lms, 135W <b>21L</b> - 21,000 lms, 165W <b>24L</b> - 24,000 lms, 196W <b>30L</b> - 30,000 lms, 209W <sup>6</sup> Custom Lumen Packages <sup>1</sup>	SIL - Silicone	<b>2</b> - Type 2 <b>3</b> - Type 3 <b>4</b> - Type 4 <b>5W</b> - Type 5 Wide <b>FT</b> - Forward Throw <b>LC</b> - Left Corner <b>RC</b> - Right Corner	<b>(blank)</b> - standard <b>L</b> - Optics rotated left 90° <b>R</b> - Optics rotated right 90°	<b>UNV</b> - Universal Voltage (120-277V) <b>HV</b> - High Voltage (347-480V)	<b>DIM</b> - 0-10V Dimming (0-10%)

Color Temp	Color Rendering	Controls (Choose One)	Finish	Options
<b>50</b> - 5,000 CCT <b>40</b> - 4,000 CCT <b>30</b> - 3,000 CCT	70CRI - 70 CRI	<b>(Blank)</b> - None  <b>Wireless Controls System</b> <b>ALSC</b> - AirLink Synapse Control System <b>ALSCS2</b> - AirLink Synapse Control System with 12-20' MH Motion Sensor <b>ALSCS4</b> - AirLink Synapse Control System with 20-40' MH Motion Sensor <b>ALBCS1</b> - AirLink Blue Wireless Motion & Photo Sensor Controller (8-24' MH) <sup>4</sup> <b>ALBCS2</b> - AirLink Blue Wireless Motion & Photo Sensor Controller (25-40' MH) <sup>4</sup>  <b>Stand-Alone Controls</b> <b>EXT</b> - 0-10V Dimming leads extended to housing exterior <b>CR7P</b> - 7 Pin Control Receptacle ANSI C136.41 <sup>3</sup> <b>IMSBT1</b> - Integral Bluetooth™ Motion and Photocell Sensor (8-24' MH) <sup>4</sup> <b>IMSBT2</b> - Integral Bluetooth™ Motion and Photocell Sensor (25-40' MH) <sup>4</sup>	<b>BLK</b> - Black <b>BRZ</b> - Dark Bronze <b>GMG</b> - Gun Metal Gray <b>GPT</b> - Graphite <b>MSV</b> - Metallic Silver <b>PLP</b> - Platinum Plus <b>SVG</b> - Satin Verde Green <b>WHT</b> - White	<b>(Blank)</b> - None  <b>IH</b> - Integral Half Louver (Moderate Spill Light Cutoff) <sup>2</sup> <b>IL</b> - Integral Louver (Sharp Spill Light Cutoff) <sup>2</sup>



Need more information?

[Click here for our glossary](#)

Have additional questions?

Call us at (800) 436-7800



## Accessory Ordering Information<sup>5</sup>

CONTROLS ACCESSORIES	
Description	Order Number
Twist Lock Photocell (120V) for use with CR7P	122514
Twist Lock Photocell (208-277) for use with CR7P	122515
Twist Lock Photocell (347V) for use with CR7P	122516
Twist Lock Photocell (480V) for use with CR7P	1225180
AirLink 5 Pin Twist Lock Controller	661409
AirLink 7 Pin Twist Lock Controller	661410
Shorting Cap for use with CR7P	149328

FUSING OPTIONS <sup>7</sup>	
Description	Order Number
Single Fusing (120V)	<a href="#">See Fusing Accessory Guide</a>
Single Fusing (277V)	
Double Fusing (208V, 240V)	
Double Fusing (480V)	
Double Fusing (347V)	

SHIELDING OPTIONS	
Description	Order Number
Mirada Small	<a href="#">See Shielding Guide</a>
Mirada Medium	
Mirada Large	
Zone Medium	
Zone Large	
Slice Medium	

- Custom lumen and wattage packages available, consult factory. Values are within industry standard tolerances but not DLC listed.
- Not available on "Type 5W" distribution.
- Control device or shorting cap must be ordered separately. See Accessory Ordering Information.
- Motion sensors are field configurable via the LSI app that can be downloaded from your smartphone's native app store.
- Accessories are shipped separately and field installed.
- "CLR" denotes finish. See Finish options.
- Fusing must be located in hand hole of pole. See [Fusing Accessory Guide](#) for compatibility.
- ALSC, ALB, and IMSBT not available with 30L HV.

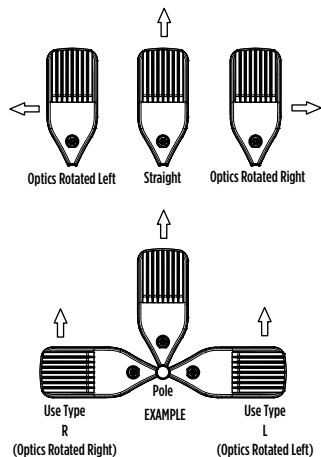
## ACCESSORIES

[Back to Quick Links](#)

MOUNTING ACCESSORIES		SHIELDING, POLES & MISC. ACCESSORIES		
Side Arm	<b>Universal Mounting Bracket</b> Mounts to $\geq 3"$ square or round (tapered/straight) poles with (2) mounting hole spaces between 3.5" to 5" <b>Part Number: BKA UMB CLR</b>		<b>Shielding</b> <b>Integral Louver</b> Field Install Integral Louver provides maximum backlight control by shielding each individual row of LEDs <b>Part Number: 763445</b> <b>Integral Half Louver</b> Field Install Integral Half Louver provides great backlight control without impacting front side distribution. <b>Part Number: 763446</b> <b>External Shield</b> External shield blocks view of light source from any side of luminaire, additional shielding configurations available <b>Part Number: 783607BLK (3") / 776538BLK (6")</b>	
	<b>Quick Mount Plate</b> True one person installation to existing/new construction poles with hole spaces between 2.4 to 4.6" <b>Part Number: BKS PQM B3B5 XX CLR</b>			
	<b>15° Tilt Quick Mount Plate</b> True one person installation to existing/new construction poles with hole spaces between 2.4 to 4.6" <b>Part Number: BKS PQ15 B3B5 XX CLR</b>			
Tenon / Slipfitter	<b>Adjustable Slipfitter</b> Mounts onto a 2" (51mm) IP, 2.375" (60mm) O.D. tenon and provides 180° of tilt (max 45° above horizontal) <b>Part Number: BKA ASF CLR</b>		<b>Poles</b> <b>Square Poles</b> 14 - 39' steel and aluminum poles in 4", 5" and 6" sizes for retrofit and new construction <b>Part Number: 4SQ/5SQ/6SQ</b> <b>Round Poles</b> 10 - 30' steel and aluminum poles in 4" and 5" sizes for retrofit and new construction <b>Part Number: 4RP/SRP</b> <b>Tapered Poles</b> 20' - 39' steel and aluminum poles for retrofit and new construction <b>Part Number: RTP</b>	
	<b>Square Tenon Top</b> Mounts onto a 2" (51mm) IP, 2.375" (60mm) O.D. tenon and allows for mounting up to 4 luminaires <b>Part Number: BKA XNM *</b>			
	<b>Square Internal Slipfitter</b> Mounts inside 4" or 5" square pole and allows for mounting up to 4 luminaires <b>Part Number: BKA X_ISF * CLR</b>			
Wall Mount/ Wood Pole	<b>Wall Mount Bracket</b> Mounts onto vertical wall surface ( hardware/anchors not included) <b>Part Number: BKS XBO WM CLR</b>		<b>Misc.</b> <b>Bird Spikes</b> 10' linear bird spike (X' recommended per luminaire), silicone adhesive (covers approximately 25' linear feet of bird spike) and application tool. <b>Spike Part Number: 751631</b> <b>Adhesive Part Number: 751632</b> <b>Caulk Gun Part Number: 751636</b>	
	<b>Wood Pole Bracket</b> Mounts onto wooden poles (6" minimum OD, hardware/anchors not included) <b>Part Number: BKS XBO WP CLR</b>			Replace CLR with paint finish description Replace X with: Z Replace XX with SQ for square pole or RD for round pole ( $\geq 3"$ OD) Replace * with S (Single), D180 (Double @180°), D90 (Double @90°), T90 (Triple), Q90 (Quad) Replace _ with 4 (4" square pole) or 5 (5" square pole)

## OPTICS ROTATION

Top View



## ACCESSORIES/OPTIONS

### Integral Louver (IL) and House-Side Shield (IH)

Integral Louver (IL) and half louver (IH) accessory shields available for improved backlight control without sacrificing street side performance. LSI's Integral Louver (IL) and Integral House-Side Shield (IH) options deliver backlight control that significantly reduces spill light behind the poles for applications with pole locations close to adjacent properties. The design maximizes forward reflected light while reducing glare, maintaining the optical distribution selected, and most importantly eliminating light trespass. Both options rotate with the optical distribution.

Luminaire Shown with Integral Louver (IL)



Luminaire Shown with IMSBT Option



### 7 Pin Photoelectric Control

7-pin ANSI C136.41-2013 control receptacle option available for twist lock photocontrols or wireless control modules. Control accessories sold separately. Dimming leads from the receptacle will be connected to the driver dimming leads (Consult factory for alternate wiring).

Luminaire Shown with CR7P



# Mirada Small Area Light (MRS)

Type: \_\_\_\_\_

 Have questions? Call us at (800) 436-7800

## PERFORMANCE

[Back to Quick Links](#)

DELIVERED LUMENS*												
Lumen Package	Distribution	CRI	3000K CCT			4000K CCT			5000K CCT			Wattage
			Delivered Lumens	Efficacy	BUG Rating	Delivered Lumens	Efficacy	BUG Rating	Delivered Lumens	Efficacy	BUG Rating	
6L	2	70	5918	149	B2-U0-G1	6136	155	B2-U0-G1	6122	155	B2-U0-G1	39
	3		6016	152	B1-U0-G2	6238	158	B1-U0-G2	6224	157	B1-U0-G2	
	4		5967	153	B1-U0-G2	6333	162	B1-U0-G3	6136	157	B1-U0-G2	
	5W		5690	144	B3-U0-G1	5899	149	B3-U0-G1	5886	1479	B3-U0-G1	
	FT		5822	147	B1-U0-G1	6037	152	B1-U0-G1	6023	152	B1-U0-G1	
	LC		6003	154	B1-U0-G2	6371	163	B1-U0-G2	6173	158	B1-U0-G2	
	RC		5964	153	B1-U0-G2	6329	162	B1-U0-G2	6132	157	B1-U0-G2	
9L	2	70	9091	145	B2-U0-G2	9484	152	B2-U0-G2	9462	151	B2-U0-G2	63
	3		9241	148	B2-U0-G2	9641	154	B2-U0-G2	9619	154	B2-U0-G2	
	4		9214	146	B2-U0-G3	9778	155	B2-U0-G3	9474	150	B2-U0-G3	
	5W		8740	140	B3-U0-G2	9118	146	B3-U0-G2	9097	144	B3-U0-G2	
	FT		8943	143	B2-U0-G2	9330	149	B2-U0-G2	9308	149	B2-U0-G2	
	LC		9269	147	B2-U0-G3	9837	156	B2-U0-G3	9531	151	B2-U0-G3	
	RC		9208	146	B2-U0-G2	9772	155	B2-U0-G3	9468	150	B2-U0-G3	
12L	2	70	12132	141	B3-U0-G2	12685	148	B3-U0-G2	12514	146	B3-U0-G2	86
	3		12333	143	B2-U0-G2	12894	150	B2-U0-G2	12721	148	B2-U0-G2	
	4		12277	143	B2-U0-G3	13029	152	B2-U0-G3	12623	147	B2-U0-G3	
	5W		11664	136	B4-U0-G2	12195	142	B4-U0-G2	12031	140	B4-U0-G2	
	FT		11935	139	B2-U0-G2	12479	145	B2-U0-G2	12311	143	B2-U0-G2	
	LC		12351	144	B2-U0-G3	13108	152	B2-U0-G3	12700	148	B2-U0-G3	
	RC		12271	143	B2-U0-G3	13022	151	B2-U0-G3	12617	147	B2-U0-G3	
15L	2	70	14220	128	B3-U0-G2	15167	137	B3-U0-G2	14488	131	B3-U0-G2	111
	3		14938	135	B2-U0-G2	15933	144	B2-U0-G2	15219	137	B2-U0-G2	
	4		14792	133	B2-U0-G4	15698	141	B2-U0-G4	15209	137	B2-U0-G4	
	5W		14304	129	B4-U0-G2	15257	137	B4-U0-G2	14574	131	B4-U0-G2	
	FT		14342	129	B2-U0-G2	15297	138	B2-U0-G2	14612	132	B2-U0-G2	
	LC		14881	134	B2-U0-G3	15793	142	B2-U0-G3	15301	138	B2-U0-G3	
	RC		14784	133	B2-U0-G3	15689	141	B2-U0-G3	15201	137	B2-U0-G3	
18L	2	70	16438	122	B3-U0-G2	17532	130	B3-U0-G3	16747	124	B3-U0-G2	135
	3		17267	128	B3-U0-G3	18417	137	B3-U0-G3	17592	131	B3-U0-G3	
	4		17101	127	B3-U-G4	18149	134	B3-U-G4	17584	130	B3-U-G4	
	5W		16535	123	B4-U0-G2	17636	133	B5-U0-G2	16846	125	B4-U0-G2	
	FT		16578	123	B3-U0-G2	17682	131	B3-U0-G2	16890	125	B3-U0-G2	
	LC		17204	127	B3-U0-G3	18258	135	B3-U0-G3	17689	131	B3-U0-G3	
	RC		17091	127	B2-U0-G3	18138	134	B2-U0-G3	17574	130	B2-U0-G3	
21L	2	70	19488	118	B3-U0-G3	20786	126	B3-U0-G3	19885	120	B3-U0-G3	165
	3		20472	124	B3-U0-G3	21835	132	B3-U0-G3	20857	126	B3-U0-G3	
	4		20279	123	B3-U0-G4	21521	130	B3-U0-G5	20851	126	B3-U0-G5	
	5W		19604	119	B5-U0-G3	20909	126	B5-U0-G3	19973	121	B5-U0-G3	
	FT		19655	119	B3-U0-G3	20964	127	B3-U0-G3	20025	121	B3-U0-G3	
	LC		20401	124	B3-U0-G4	21651	131	B3-U0-G4	20977	127	B3-U0-G4	
	RC		20268	123	B3-U0-G3	21509	130	B3-U0-G4	20840	126	B3-U0-G3	

\*LEDs are frequently updated therefore values are nominal.

# Mirada Small Area Light (MRS)

Type: \_\_\_\_\_

 Have questions? Call us at (800) 436-7800

## PERFORMANCE

[Back to Quick Links](#)

DELIVERED LUMENS*												
Lumen Package	Distribution	CRI	3000K CCT			4000K CCT			5000K CCT			Wattage
			Delivered Lumens	Efficacy	BUG Rating	Delivered Lumens	Efficacy	BUG Rating	Delivered Lumens	Efficacy	BUG Rating	
24L	2	70	21976	112	B3-U0-G3	23439	120	B3-U0-G3	22390	114	B3-U0-G3	196
	3		23085	118	B3-U0-G3	24622	126	B3-U0-G3	23519	120	B3-U0-G3	
	4		23190	117	B3-U0-G5	24758	124	B3-U0-G5	23888	120	B3-U0-G5	
	5W		22105	113	B5-U0-G3	23578	120	B5-U0-G3	22522	115	B5-U0-G3	
	FT		22164	113	B3-U0-G3	23640	121	B3-U0-G3	22581	115	B3-U0-G3	
	LC		23330	117	B3-U0-G4	24907	125	B3-U0-G4	24032	121	B3-U0-G4	
	RC		23117	117	B3-U0-G4	24744	124	B3-U0-G4	23874	120	B3-U0-G4	
30L	2	70	30078	144	B4-U0-G3	29485	143	B4-U0-G4	30697	147	B4-U0-G3	209
	3		31711	154	B3-U0-G3	31086	151	B3-U0-G3	32364	157	B3-U0-G3	
	4		30459	148	B4-U0-G5	29858	145	B4-U0-G5	31085	151	B4-U0-G5	
	5W		30588	149	B5-U0-G3	29985	146	B5-U0-G3	31218	152	B5-U0-G3	
	FT		31585	153	B3-U0-G4	30962	150	B3-U0-G4	32235	156	B4-U0-G4	
	LC		32303	155	B3-U0-G5	31666	152	B3-U0-G5	32968	158	B3-U0-G5	
	RC		31943	153	B3-U0-G4	31313	150	B3-U0-G4	32600	156	B3-U0-G5	

\*LEDs are frequently updated therefore values are nominal.

ELECTRICAL DATA (AMPS)*						
Lumens	120V	208V	240V	277V	347V	480V
6L	0.34	0.20	0.17	0.15	0.12	0.09
9L	0.52	0.30	0.26	0.23	0.18	0.13
12L	0.72	0.41	0.36	0.31	0.25	0.18
15L	0.93	0.53	0.46	0.40	0.32	0.23
18L	1.12	0.65	0.56	0.49	0.39	0.28
21L	1.38	0.80	0.69	0.60	0.48	0.34
24L	1.63	0.94	0.82	0.71	0.56	0.41
30L	1.74	1.00	0.87	0.75	0.60	0.43

\*Electrical data at 25°C (77°F). Actual wattage may differ by +/-10%

RECOMMENDED LUMEN MAINTENANCE <sup>1</sup>					
Ambient Temp	Lumen Multiplier				
	0 hrs. <sup>2</sup>	25K hrs. <sup>2</sup>	50K hrs. <sup>2</sup>	75K hrs. <sup>3</sup>	100K hrs. <sup>3</sup>
0 C - 25 C	100%	95%	89%	84%	79%
40 C	100%	94%	87%	80%	74%

- Lumen maintenance values at 25°C are calculated per TM-21 based on LM-80 data and in-situ luminaire testing.
- In accordance with IESNA TM-21-11, Projected Values represent interpolated value based on time durations that are within six times (6X) the IESNA LM-80-08 total test duration (in hours) for the device under testing ((DUT) i.e. the packaged LED chip).
- In accordance with IESNA TM-21-11, Calculated Values represent time durations that exceed six times NA LM-80-08 total test duration (in hours) for the device under testing ((DUT) i.e. the packaged LED chip).



# Mirada Small Area Light (MRS)

Type: \_\_\_\_\_

 Have questions? Call us at (800) 436-7800

## PHOTOMETRICS

[Back to Quick Links](#)

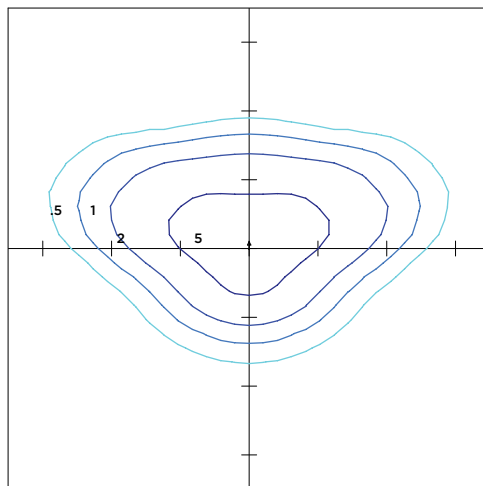
Luminaire photometry has been conducted by an accredited laboratory in accordance with IESNA LM-79. As specified by IESNA LM-79 the entire luminaire is tested as the source resulting in a luminaire efficiency of 100%.

### MRS-LED-18L-SIL-2-40-70CRI

Luminaire Data	
Type 2 Distribution	
Description	4000 Kelvin, 70 CRI
Delivered Lumens	17,532
Watts	135
Efficacy	130
IES Type	Type II - Short
BUG Rating	B3-U0-G3

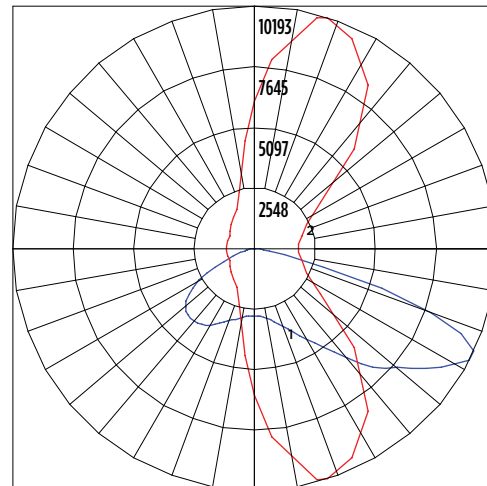
Zonal Lumen Summary		
Zone	Lumens	% Luminaire
Low (0-30)°	2831	16%
Medium (30-60)°	10310	59%
High (60-80)°	4208	24%
Very High (80-90)°	184	1%
Uplight (90-180)°	0	0%
<b>Total Flux</b>	<b>17532</b>	<b>100%</b>

#### ISO Footcandle



20' Mounting Height / 20' Grid Spacing  
 ■ 5 FC ■ 2 FC ■ 1 FC ■ 0.5 FC

#### Polar Curve



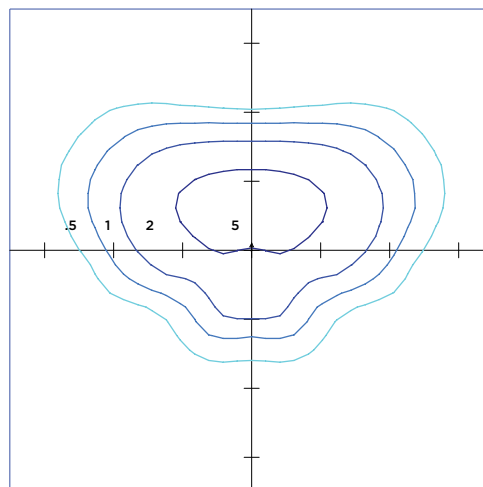
■ Vertical Plane ■ Horizontal Cone

### MRS-LED-18L-SIL-3-40-70CRI

Luminaire Data	
Type 3 Distribution	
Description	4000 Kelvin, 70 CRI
Delivered Lumens	18,417
Watts	135
Efficacy	137
IES Type	Type III - Short
BUG Rating	B3-U0-G3

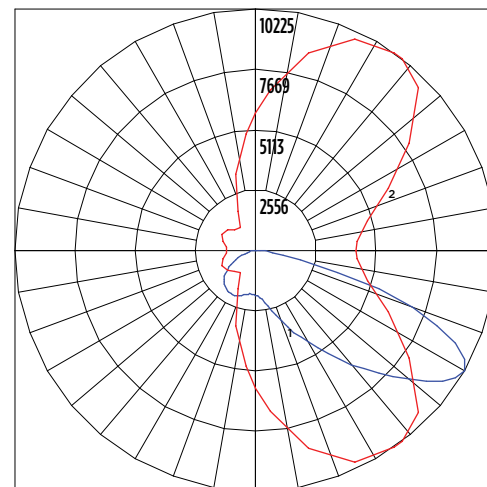
Zonal Lumen Summary		
Zone	Lumens	% Luminaire
Low (0-30)°	2329	13%
Medium (30-60)°	10634	61%
High (60-80)°	5246	30%
Very High (80-90)°	208	1%
Uplight (90-180)°	0	0%
<b>Total Flux</b>	<b>18417</b>	<b>100%</b>

#### ISO Footcandle



20' Mounting Height / 20' Grid Spacing  
 ■ 5 FC ■ 2 FC ■ 1 FC ■ 0.5 FC

#### Polar Curve



■ Vertical Plane ■ Horizontal Cone

# Mirada Small Area Light (MRS)

Type: \_\_\_\_\_

 Have questions? Call us at (800) 436-7800

## PHOTOMETRICS (CONT)

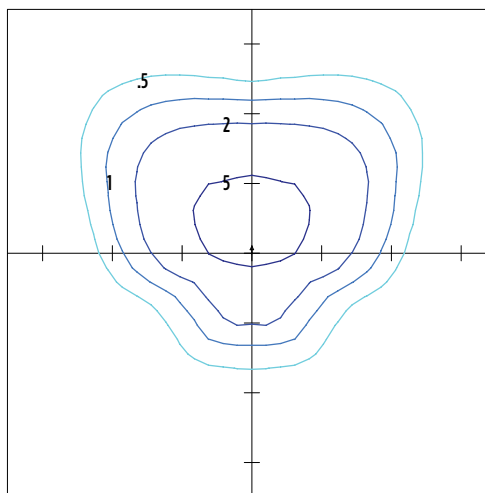
[Back to Quick Links](#)

### MRS-LED-18L-SIL-FT-40-70CRI

Luminaire Data	
Type FT Distribution	
Description	4000 Kelvin, 70 CRI
Delivered Lumens	17,682
Watts	135
Efficacy	131
IES Type	Type III - Short
BUG Rating	B3-U0-G2

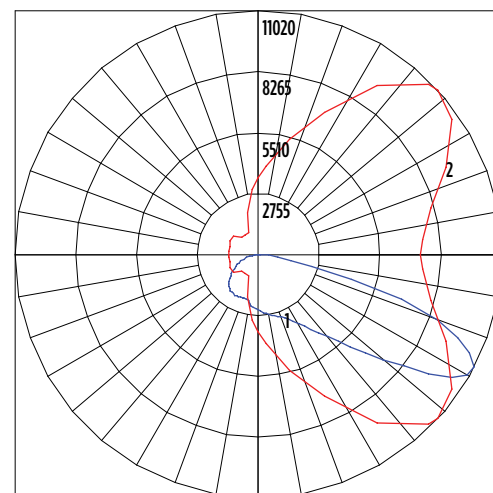
Zonal Lumen Summary		
Zone	Lumens	% Luminaire
Low (0-30)°	2255	13%
Medium (30-60)°	9463	54%
High (60-80)°	5696	32%
Very High (80-90)°	268	2%
Uplight (90-180)°	0	0%
<b>Total Flux</b>	<b>17682</b>	<b>100%</b>

#### ISO Footcandle



20' Mounting Height / 20' Grid Spacing  
 ■ 5 FC ■ 2 FC ■ 1 FC ■ 0.5 FC

#### Polar Curve



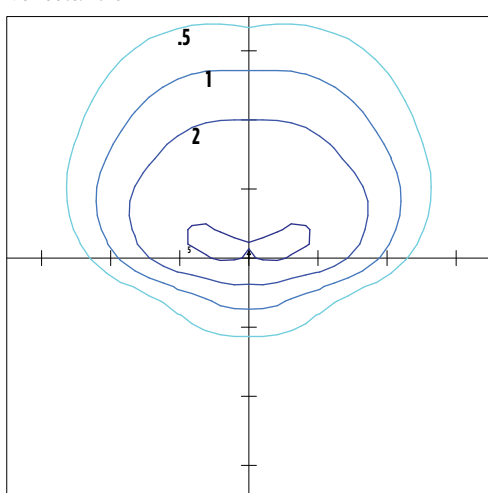
■ Vertical Plane ■ Horizontal Cone

### MRS-LED-18L-SIL-4-40-70CRI

Luminaire Data	
Type 4 Distribution	
Description	4000 Kelvin, 70 CRI
Delivered Lumens	18,149
Watts	135
Efficacy	134
IES Type	Type IV - Very Short
BUG Rating	B3-U0-G4

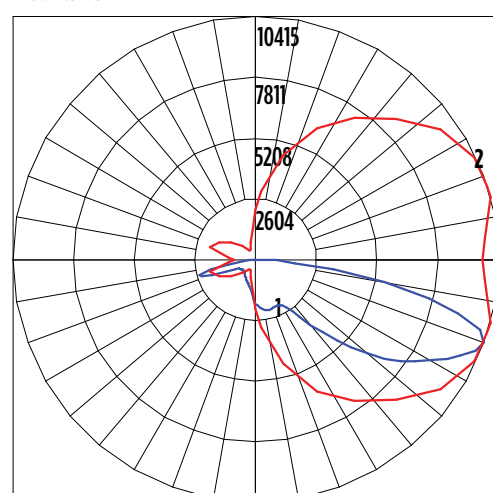
Zonal Lumen Summary		
Zone	Lumens	% Luminaire
Low (0-30)°	1671	9%
Medium (30-60)°	7615	42%
High (60-80)°	8074	44%
Very High (80-90)°	790	4%
Uplight (90-180)°	0	0%
<b>Total Flux</b>	<b>18149</b>	<b>100%</b>

#### ISO Footcandle



20' Mounting Height / 20' Grid Spacing  
 ■ 5 FC ■ 2 FC ■ 1 FC ■ 0.5 FC

#### Polar Curve



■ Vertical Plane ■ Horizontal Cone

# Mirada Small Area Light (MRS)

Type: \_\_\_\_\_

 Have questions? Call us at (800) 436-7800

## PHOTOMETRICS (CONT)

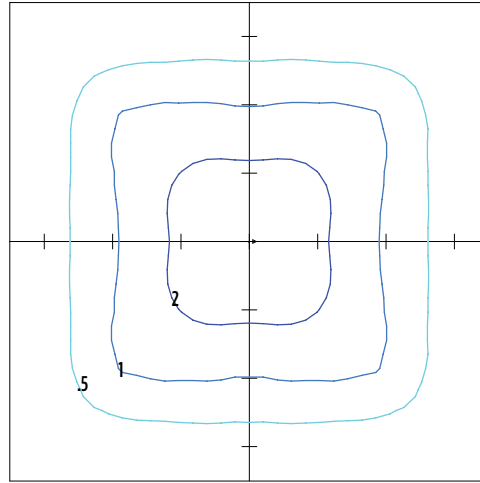
[Back to Quick Links](#)

### MRM-LED-30L-SIL-5W-40-70CRI

Luminaire Data	
Type 5W Distribution	
Description	4000 Kelvin, 70 CRI
Delivered Lumens	17,636
Watts	135
Efficacy	131
IES Type	Type VS - Short
BUG Rating	B4-U0-G2

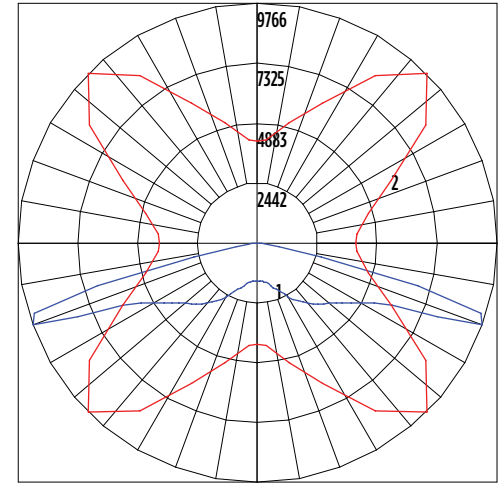
Zonal Lumen Summary		
Zone	Lumens	% Luminaire
Low (0-30)°	1646	9%
Medium (30-60)°	7453	43%
High (60-80)°	8405	48%
Very High (80-90)°	132	1%
Uplight (90-180)°	0	0%
<b>Total Flux</b>	<b>17636</b>	<b>100%</b>

#### ISO Footcandle



20' Mounting Height / 20' Grid Spacing  
 ■ 5 FC ■ 2 FC ■ 1 FC ■ 0.5 FC

#### Polar Curve



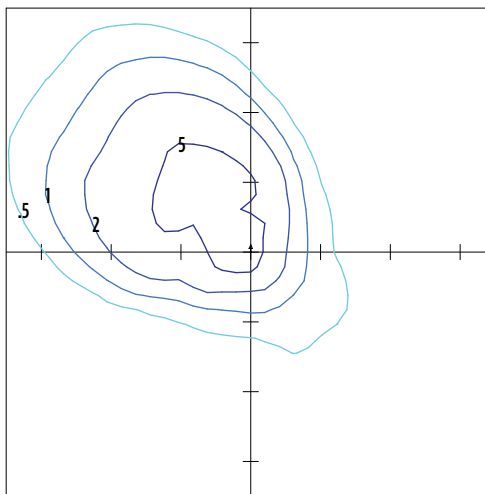
■ Vertical Plane ■ Horizontal Cone

### MRS-LED-18L-SIL-LC-40-70CRI

Luminaire Data	
Left Corner Distribution	
Description	4000 Kelvin, 70 CRI
Delivered Lumens	18,258
Watts	135
Efficacy	135
IES Type	N/A
BUG Rating	B3-U0-G3

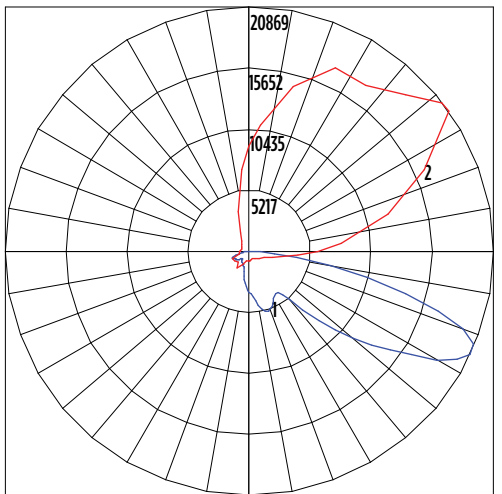
Zonal Lumen Summary		
Zone	Lumens	% Luminaire
Low (0-30)°	2412	13%
Medium (30-60)°	7504	41%
High (60-80)°	7698	42%
Very High (80-90)°	644	4%
Uplight (90-180)°	0	0%
<b>Total Flux</b>	<b>18258</b>	<b>100%</b>

#### ISO Footcandle



20' Mounting Height / 20' Grid Spacing  
 ■ 5 FC ■ 2 FC ■ 1 FC ■ 0.5 FC

#### Polar Curve



■ Vertical Plane ■ Horizontal Cone

# Mirada Small Area Light (MRS)

Type: \_\_\_\_\_

Have questions? Call us at (800) 436-7800

## PHOTOMETRICS (CONT)

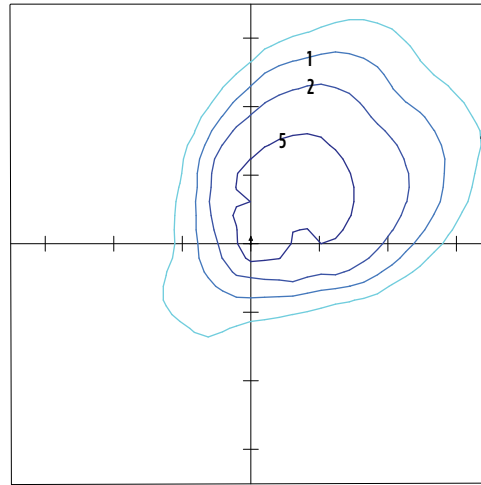
[Back to Quick Links](#)

### MRM-LED-30L-SIL-5W-40-70CRI

Luminaire Data	
Right Corner Distribution	
Description	4000 Kelvin, 70 CRI
Delivered Lumens	18,138
Watts	135
Efficacy	134
IES Type	N/A
BUG Rating	B3-U0-G3

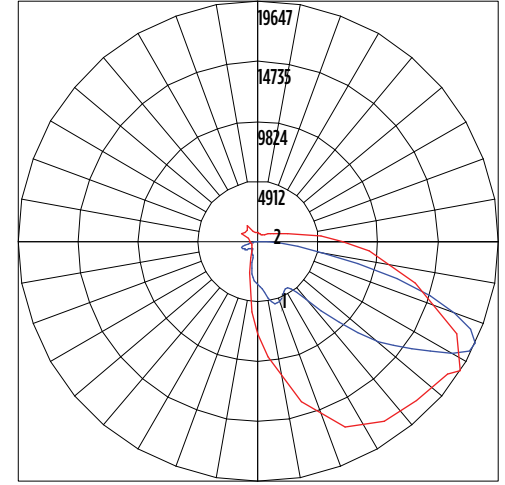
Zonal Lumen Summary		
Zone	Lumens	% Luminaire
Low (0-30)°	2317	13%
Medium (30-60)°	8066	44%
High (60-80)°	7214	40%
Very High (80-90)°	541	3%
Uplight (90-180)°	0	0%
<b>Total Flux</b>	<b>18138</b>	<b>100%</b>

### ISO Footcandle



20' Mounting Height / 20' Grid Spacing  
 ■ 5 FC ■ 2 FC ■ 1 FC ■ 0.5 FC

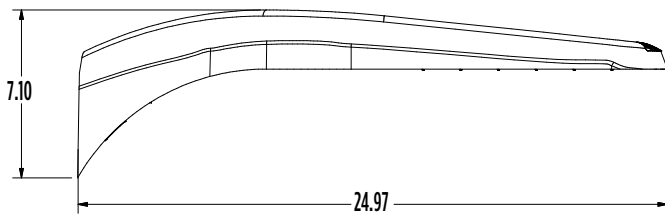
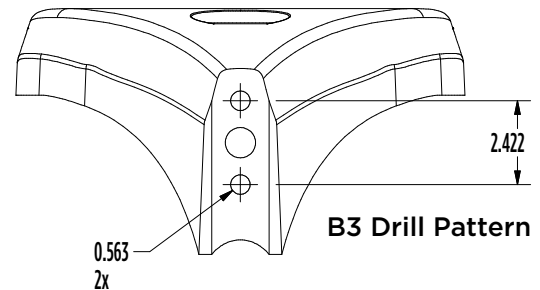
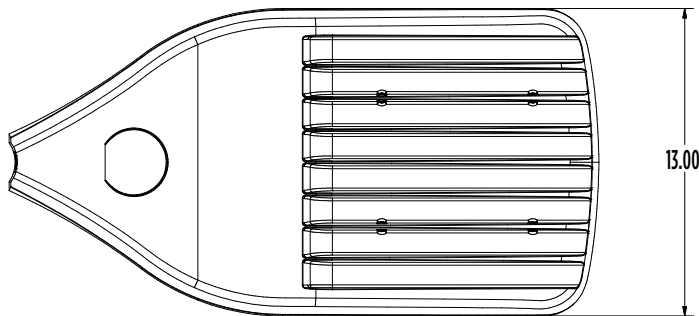
### Polar Curve



■ Vertical Plane ■ Horizontal Cone

## PRODUCT DIMENSIONS

[Back to Quick Links](#)



Luminaire EPA Chart					
Tilt Degree		0°	15°	30°	45°
	Single	0.5	0.8	1.3	1.8
	D180°	0.9	1.1	1.3	1.8
	D90°	0.9	1.3	1.8	2.2
	T90°	1.4	1.9	2.3	2.6
	TN120°	1.4	2.1	1.9	2.3
	Q90°	1.4	1.9	2.3	2.6

## CONTROLS

[Back to Quick Links](#)

### Integral Bluetooth™ Motion and Photocell Sensor (IMSBTxL)

Slim low profile sensor provides multi-level control based on motion and/or daylight. Sensor controls 0-10 VDC LED drivers and is IP66 rated for cold and wet locations (-40°F to 167°F). Two unique PIR lenses are available and used based on fixture mounting height. All control parameters are adjustable via an iOS or Android App capable of storing and transmitting sensor profiles.

[Click here to learn more details about IMSBT](#)



LEVITON App



Apple



Android

### AirLink Blue (ALBCSx)

Wireless Bluetooth Mesh Outdoor Lighting Control System that provides energy savings, code compliance and enhanced safety/security for parking lots and parking garages. Three key components; Bluetooth wireless radio/sensor controller, Time Keeper and an iOS App. Capable of grouping multiple fixtures and sensors as well as scheduling time-based events by zone. Radio/Sensor Controller is factory integrated into Area/ Site, Wall Mounted, Parking Garage and Canopy luminaires.

[Click here to learn more details about AirLink Blue](#)



AirLink Blue App



Apple

### Sensor Sequence of Operations

Standard Programming	On Event	Off Event	On Light Level	Dim Light Level	Daylight Harvesting	Delay To Off	Sensitivity
IMSBTxL	Motion	No Motion	100%	N/A	On; Auto Calibration	20 minutes	High

Operation	Description
<b>On Event</b>	Trigger that activates lights to turn on; either automatic via motion detected or manually activated via push of button.
<b>Off Event</b>	Trigger that activates lights to turn off; either automatic via no motion detected or manually activated via push of button.
<b>On Light Level</b>	The light level that the fixtures will turn on to when ON EVENT occurs.
<b>Dim Light Level</b>	The light level that the fixtures will dim down to when no motion is detected.
<b>Delay to Dim</b>	The amount of time after which no motion is detected that the fixtures will be triggered to dim down. This sequence is optional, and sensor can be programmed to only trigger the fixture to turn off by entering 100% in this field.
<b>Delay to Off</b>	The amount of time after which no motion is detected that the fixtures will be triggered to turn off. If delay to dim is part of the programmed functionality, this is the amount of time after which no motion is detected after the fixture have already dimmed down.
<b>Sensitivity</b>	The sensitivity can be set to high, medium, low, or auto where applicable. High will detect smaller, simple motions. Low will only detect larger more complex motions. Auto temperature calibration adjusts the PIR sensitivity as ambient temperature rises to increase detection of heat movement through the field of view.



# Opulence Small Post Top (OPS)

## Outdoor Decorative Post Top



### OVERVIEW

Lumen Package (lm)	3,000 - 14,000
Wattage Range (W)	20 - 100
Efficacy Range (LPW)	114 - 148
Weight lbs (kg)	25.0 (11.3)

### QUICK LINKS

## FEATURES & SPECIFICATIONS

### Construction

- Rugged die-cast aluminum housing.
- Fixtures are finished with LSI's DuraGrip® polyester powder coat finishing process. The DuraGrip finish withstands extreme weather changes without cracking or peeling. Other standard LSI finishes available. Consult factory.

### Optical System

- High density LED optical system delivers industry leading optical performance and visual comfort.
- 7 distribution types 3W, 4F, 5Q, 5C, 5R, 5D & AD
- Diffused lens version provides maximum visual comfort with reduced brightness and LED pixelization
- Available in 5000K, 4000K, 3500K, 3000K and 2700K color temperatures per ANSI C78.377. Also available in Phosphor Converted Amber with Peak intensity at 610nm.
- Minimum CRI of 80
- External Shield available for field installation (see accessory ordering information and dimensions for details).

### Electrical

- High-performance driver features overvoltage, under-voltage, short-circuit and over temperature protection (6kV surge standard).
- 0-10V dimming driver (optional extended leads).

- Standard Universal Voltage (120-277 VAC) Input 50/60 Hz or optional High Voltage (347-480 VAC).
- Total harmonic distortion (THD): <20%
- Operating temperature: -40°C to +40°C (-40°F to +104°F).
- Power factor (PF): >.90
- Input power stays constant over life.
- Field replaceable 10kV surge protection device meets a minimum Category C Low operation (per ANSI/IEEE C62.41.2).
- Driver is fully encased in potting material for moisture resistance and complies with FCC standards. Driver and key electronic components can easily be accessed.

### Controls

- Integral passive infrared Bluetooth™ motion and photocell sensor options. Fixtures operate independently and can be commissioned via an iOS or Android configuration app.
- LSI's AirLink™ Blue lighting control system is a simple feature rich wireless Bluetooth mesh network. The integrated fixture sensor module provides wireless control of grouped fixtures based on motion sensors, daylight or a fully customizable schedule. Updates and modifications to the control strategy are easily implemented via an intuitive iOS app.

### Installation

- Designed to mount directly to a 2 3/8" - 3" outer diameter tenon (4" tall).
- Optional flush mount accessory slips inside the top of a 4" round pole for a virtually seamless transition from pole to luminaire.

### Warranty

- LSI luminaires carry a 5-year limited warranty. Refer to <https://www.lsicorp.com/resources/terms-conditions-warranty/> for more information.

### Listings

- Listed to UL 1598 and UL 8750.
- Meets Buy American Act requirements.
- IDA compliant; with 3000K and warmer color temperature selection.
- Title 24 Compliant; see local ordinance for qualification information.
- Suitable for wet locations.
- IP66 rated Luminaire per IEC 60598-1.
- 3G rated for ANSI C136.31 high vibration applications.
- DesignLights Consortium® (DLC) Premium qualified product. Not all versions of this product may be DLC Premium qualified. Please check the DLC Qualified Products List at [www.designlights.org/QPL](http://www.designlights.org/QPL) to confirm which versions are qualified.

# Opulence Small Post Top (OPS) Outdoor Decorative Post Top

Type : \_\_\_\_\_

 **Have questions?** Call us at (800) 436-7800

## ORDERING GUIDE

TYPICAL ORDER EXAMPLE: OPS PT 8L 5Q UNV 40K8 BLK ALBCS1							
Prefix	Mounting	Lumen Package <sup>1</sup>	Distribution	Voltage	Color Temperature / Rendering	Finish	Controls
OPS - Opulence Small	PT - Post Top (2.3/8" 3" Tennon)	<b>3L</b> - 3,000 Lumens <b>5L</b> - 5,000 Lumens <b>6L</b> - 6,000 Lumens <b>8L</b> - 8,000 Lumens <b>10L</b> - 10,000 Lumens <b>12L</b> - 12,000 Lumens <b>14L</b> - 14,000 Lumens	<b>5Q</b> - Type 5 Square <b>5C</b> - Type 5 Concentrated <b>5R</b> - Type 5 Rectangular <b>3W</b> - Type 3 (Wide Throw) <b>4F</b> - Type 4 (Forward Throw) <b>5D</b> - Type 5 Diffused <b>AD</b> - Asymmetric Diffused	<b>UNV</b> - Universal Voltage (120-277V) <b>HV</b> - High Voltage (347-480V)	<b>27K8</b> - 2700K / 80 CRI <b>30K8</b> - 3000K / 80 CRI <b>35K8</b> - 3500K / 80 CRI <b>40K8</b> - 4000K / 80 CRI <b>50K8</b> - 5000K / 80 CRI <b>AMB</b> - Phosphor Converted Amber <sup>2</sup>	<b>BLK</b> - Black <b>BRZ</b> - Dark Bronze <b>GMG</b> - Gun Metal Gray <b>GPT</b> - Graphite <b>MSV</b> - Metallic Silver <b>PLP</b> - Platinum Plus <b>WHT</b> - White	<b>Blank</b> - None <b>ALBCS1</b> - AirLink Blue Wireless Motion & Photo Sensor Controller (8-24' mounting height) <b>ALBCS2</b> - AirLink Blue Wireless Motion & Photo Sensor Controller (25-40' mounting height) <b>CR7P</b> - 7 Pin Control Receptacle ANSI C136.41 <sup>3</sup> <b>IMSBT1L</b> - Integral Bluetooth™ Motion and Photocell Sensor (8 - 24' mounting height) <sup>3</sup> <b>IMSBT2L</b> - Integral Bluetooth™ Motion and Photocell Sensor (25 - 40' mounting height) <sup>3</sup> <b>EXT</b> - 0-10v Dimming leads extended to housing exterior



**Need more information?**  
[Click here for our glossary.](#)

**Have additional questions?**  
 Call us at (800) 436-7800



### CONTROLS ACCESSORIES ORDERING INFORMATION<sup>4</sup>

Order Number	Description
<b>122514</b>	Twist Lock Photocell (120V) for use with CR7P
<b>122515</b>	Twist Lock Photocell (208-277) for use with CR7P
<b>122516</b>	Twist Lock Photocell (347V) for use with CR7P
<b>1225180</b>	Twist Lock Photocell (480V) for use with CR7P
<b>661409</b>	AirLink 5 Pin Twist Lock Controller
<b>661410</b>	AirLink 7 Pin Twist Lock Controller
<b>149328</b>	Shorting Cap for use with CR7P

### FUSING ACCESSORIES ORDERING INFORMATION<sup>5</sup>

Order Number	Description
<b>FK120</b>	Single Fusing (120V)
<b>FK277</b>	Single Fusing (277V)
<b>DFK347</b>	Double Fusing (347V)
<b>DFK480</b>	Double Fusing (480V)

### MOUNTING ACCESSORIES ORDERING INFORMATION<sup>6</sup>

Order Number <sup>7</sup>	Description
<b>764420CLR</b>	Internal Flush Mount Adapter for 4" OD Round Pole
<b>761587CLR</b>	Post Top Wall Mount Bracket
<b>761588CLR</b>	D180 Post Top Arm Bracket
<b>694638CLR</b>	Internal Tenon Adapter for 4" Square Pole
<b>694641CLR</b>	Internal Tenon Adapter for 5" Square Pole
<b>694642CLR</b>	Internal Tenon Adapter for 6" Square Pole
<b>483859CLR</b>	Decorative Base Cover (4 / 5" Round Poles)
<b>751632</b>	10' Linear Bird Spike Kit (4' Recommended per Luminaire)
<b>781340</b>	EHS - External Shield (Black Finish Only)

1 120-277V Only. Not available with 14L Lumen Package.

2 Amber LEDs not available in 12L or 14L lumen packages

3 IMSBTxL is field configurable via the Leviton app that can be downloaded from your smartphone's app store.

4 Control device or shorting cap must be ordered separately. See Accessory Ordering Information.

5 Fusing must be located in hand hole of pole.

6 Accessories are shipped separately and field installed.

7 "CLR" to be replaced by paint finish selection. See Finish options for paint color selections.

# Opulence Small Post Top (OPS) Outdoor Decorative Post Top

Type : \_\_\_\_\_

 Have questions? Call us at (800) 436-7800

## PERFORMANCE

DELIVERED LUMENS (OPS PT)*																		
Lumen Package	Distribution	CRI	2700K CCT			3000K CCT			3500K CCT			4000K CCT			5000K CCT			Wattage
			Delivered Lumens	Efficacy	BUG Rating	Delivered Lumens	Efficacy	BUG Rating	Delivered Lumens	Efficacy	BUG Rating	Delivered Lumens	Efficacy	BUG Rating	Delivered Lumens	Efficacy	BUG Rating	
3L	5Q	80	2,739	135	B1-U2-G1	2,828	139	B1-U2-G1	2,781	137	B1-U2-G1	2,895	143	B1-U2-G1	2,933	145	B1-U2-G1	20
	5C		2,812	139	B1-U3-G1	2,903	143	B1-U3-G1	2,855	141	B1-U3-G1	2,972	146	B1-U3-G1	3,011	148	B1-U3-G1	
	5R		2,708	132	B1-U2-G1	2,796	138	B1-U2-G1	2,750	134	B1-U2-G1	2,862	141	B2-U2-G2	2,900	143	B2-U2-G2	
	4F		2,714	134	B1-U2-G1	2,802	138	B1-U2-G1	2,756	136	B1-U2-G1	2,869	141	B1-U2-G1	2,907	143	B1-U2-G1	
	3W		2,705	133	B1-U2-G1	2,793	138	B1-U2-G1	2,747	135	B1-U2-G1	2,859	141	B1-U2-G1	2,897	143	B1-U2-G1	
	5D		2,522	124	B1-U2-G1	2,604	128	B1-U2-G1	2,561	126	B1-U2-G1	2,665	131	B1-U2-G1	2,701	133	B1-U2-G1	
	AD		2,529	125	B1-U2-G1	2,611	129	B1-U2-G1	2,568	127	B1-U2-G1	2,672	132	B1-U2-G1	2,708	133	B1-U2-G1	
5L	5Q	80	4,525	131	B2-U3-G1	4,672	135	B2-U3-G1	4,595	133	B2-U3-G1	4,782	139	B2-U3-G1	4,845	140	B2-U3-G1	34
	5C		4,645	135	B2-U3-G1	4,796	139	B2-U3-G1	4,717	137	B2-U3-G1	4,909	142	B2-U3-G1	4,974	144	B2-U3-G1	
	5R		4,474	130	B2-U3-G2	4,619	134	B2-U3-G2	4,543	132	B2-U3-G2	4,728	137	B2-U3-G2	4,791	139	B2-U3-G2	
	4F		4,484	130	B1-U3-G1	4,630	134	B1-U3-G1	4,553	132	B1-U3-G1	4,739	137	B1-U3-G1	4,802	139	B1-U3-G1	
	3W		4,468	129	B1-U3-G1	4,614	134	B1-U3-G1	4,538	131	B1-U3-G1	4,723	137	B1-U3-G1	4,785	139	B1-U3-G1	
	5D		4,166	121	B2-U3-G1	4,301	125	B2-U3-G1	4,231	123	B2-U3-G1	4,403	128	B2-U3-G1	4,461	129	B2-U3-G1	
	AD		4,177	121	B1-U3-G1	4,313	125	B1-U3-G1	4,242	123	B1-U3-G1	4,415	128	B1-U3-G1	4,474	130	B1-U3-G1	
6L	5Q	80	5,362	132	B2-U3-G1	5,536	136	B2-U3-G1	5,445	134	B2-U3-G1	5,667	140	B2-U3-G1	5,742	141	B2-U3-G1	41
	5C		5,505	136	B2-U3-G1	5,684	140	B2-U3-G1	5,590	138	B2-U3-G1	5,818	143	B2-U3-G1	5,895	145	B2-U3-G1	
	5R		5,302	131	B2-U3-G2	5,474	135	B2-U3-G2	5,384	133	B2-U3-G2	5,603	138	B2-U3-G2	5,677	140	B2-U3-G2	
	4F		5,314	131	B1-U3-G1	5,486	135	B1-U3-G1	5,396	133	B1-U3-G1	5,616	138	B1-U3-G1	5,690	140	B1-U3-G1	
	3W		5,295	130	B2-U3-G1	5,467	135	B2-U3-G1	5,378	132	B2-U3-G1	5,597	138	B2-U3-G1	5,671	140	B2-U3-G1	
	5D		4,937	122	B2-U3-G1	5,097	126	B2-U3-G1	5,014	123	B2-U3-G1	5,218	129	B2-U3-G1	5,287	130	B2-U3-G1	
	AD		4,950	122	B2-U3-G1	5,111	126	B2-U3-G1	5,027	124	B2-U3-G1	5,232	129	B2-U3-G1	5,301	131	B2-U3-G1	
8L	5Q	80	7,185	130	B3-U3-G1	7,419	134	B3-U3-G1	7,297	132	B3-U3-G1	7,594	138	B3-U3-G1	7,695	139	B3-U3-G1	55
	5C		7,376	134	B2-U3-G1	7,616	138	B2-U3-G1	7,491	136	B2-U3-G1	7,796	141	B3-U3-G1	7,899	143	B3-U3-G1	
	5R		7,104	129	B3-U3-G3	7,335	133	B3-U3-G3	7,214	131	B3-U3-G3	7,508	136	B3-U3-G3	7,608	138	B3-U3-G3	
	4F		7,120	129	B2-U3-G1	7,352	133	B2-U3-G1	7,231	131	B2-U3-G1	7,525	136	B2-U3-G1	7,625	138	B2-U3-G1	
	3W		7,096	129	B2-U3-G2	7,326	133	B2-U3-G2	7,206	131	B2-U3-G2	7,499	136	B2-U3-G2	7,599	138	B2-U3-G2	
	5D		6,616	120	B2-U3-G1	6,831	124	B2-U3-G1	6,718	122	B2-U3-G1	6,992	127	B2-U3-G1	7,085	128	B2-U3-G1	
	AD		6,634	120	B2-U3-G2	6,849	124	B2-U3-G2	6,736	122	B2-U3-G2	7,011	127	B2-U3-G2	7,104	129	B2-U3-G2	
10L	5Q	80	9,061	128	B3-U3-G1	9,355	132	B3-U3-G1	9,201	130	B3-U3-G1	9,576	136	B3-U3-G1	9,703	137	B3-U3-G1	70
	5C		9,302	132	B3-U3-G1	9,604	136	B3-U3-G1	9,446	134	B3-U3-G1	9,831	139	B3-U3-G1	9,961	141	B3-U3-G1	
	5R		8,959	127	B3-U3-G3	9,250	131	B3-U3-G3	9,097	129	B3-U3-G3	9,468	134	B3-U3-G3	9,594	136	B3-U3-G3	
	4F		8,979	127	B2-U3-G2	9,271	131	B2-U3-G2	9,118	129	B2-U3-G2	9,490	134	B2-U3-G2	9,616	136	B2-U3-G2	
	3W		8,948	127	B2-U3-G2	9,239	131	B2-U3-G2	9,087	129	B2-U3-G2	9,457	134	B2-U3-G2	9,583	136	B2-U3-G2	
	5D		8,343	118	B3-U3-G2	8,614	122	B3-U3-G2	8,472	120	B3-U3-G2	8,817	125	B3-U3-G2	8,934	126	B3-U3-G2	
	AD		8,365	118	B2-U3-G2	8,637	122	B2-U3-G2	8,495	120	B2-U3-G2	8,841	125	B2-U3-G2	8,958	127	B2-U3-G2	
12L	5Q	80	10,801	126	B3-U3-G1	11,152	130	B3-U3-G1	10,968	128	B3-U3-G1	11,415	134	B3-U3-G1	11,566	135	B3-U3-G1	85
	5C		11,088	130	B3-U3-G1	11,448	134	B3-U3-G1	11,260	132	B3-U3-G1	11,718	137	B3-U3-G1	11,874	139	B3-U3-G1	
	5R		10,679	125	B3-U3-G3	11,026	129	B3-U3-G3	10,844	127	B3-U3-G3	11,286	132	B3-U3-G3	11,436	134	B3-U3-G3	
	4F		10,703	125	B2-U3-G2	11,051	129	B2-U3-G2	10,869	127	B2-U3-G2	11,312	132	B2-U3-G2	11,462	134	B2-U3-G2	
	3W		10,666	125	B2-U3-G2	11,013	129	B2-U3-G2	10,832	127	B2-U3-G2	11,273	132	B2-U3-G2	11,423	134	B2-U3-G2	
	5D		9,945	116	B3-U3-G2	10,268	120	B3-U3-G2	10,099	118	B3-U3-G2	10,510	123	B3-U3-G2	10,650	125	B3-U3-G2	
	AD		9,972	117	B2-U3-G2	10,296	120	B2-U3-G2	10,126	118	B2-U3-G2	10,539	123	B2-U3-G2	10,679	125	B2-U3-G2	
14L	5Q	80	12,487	124	B3-U3-G2	12,893	128	B3-U3-G2	12,681	126	B3-U3-G2	13,197	131	B3-U3-G2	13,372	133	B3-U3-G2	100
	5C		12,819	128	B3-U3-G1	13,236	132	B3-U3-G1	13,018	130	B3-U3-G1	13,548	135	B3-U3-G1	13,728	137	B3-U3-G1	
	5R		12,346	123	B3-U3-G3	12,747	127	B3-U3-G3	12,537	125	B3-U3-G3	13,048	130	B3-U3-G3	13,221	132	B3-U3-G3	
	4F		12,374	123	B2-U3-G2	12,776	127	B2-U3-G2	12,566	125	B2-U3-G2	13,078	130	B2-U3-G2	13,252	132	B2-U3-G2	
	3W		12,332	123	B2-U3-G2	12,732	127	B3-U3-G3	12,523	125	B3-U3-G3	13,033	130	B3-U3-G3	13,206	132	B3-U3-G3	
	5D		11,497	114	B3-U3-G2	11,871	118	B3-U3-G2	11,675	116	B3-U3-G2	12,151	121	B3-U3-G2	12,312	123	B3-U3-G2	
	AD		11,528	114	B2-U3-G2	11,903	118	B2-U3-G2	11,707	116	B2-U3-G2	12,184	121	B2-U3-G2	12,346	123	B3-U3-G2	

Note: LED Chips are frequently updated therefore values are nominal.



# Opulence Small Post Top (OPS) Outdoor Decorative Post Top

Type : \_\_\_\_\_

 Have questions? Call us at (800) 436-7800

## PERFORMANCE

Delivered Lumens - PC Amber						
Lumen Package	Distribution	CRI	PC Amber			Wattage
			Delivered Lumens	Efficacy	BUG Rating	
3L	5Q	80	1,966	89	B1-U2-G1	22
	5C		2,019	92	B1-U3-G1	
	5R		1,943	88	B1-U2-G1	
	4F		1,917	87	B1-U2-G1	
	3W		1,881	86	B1-U2-G1	
	5D		1,810	82	B1-U2-G1	
	AD		1,814	82	B1-U2-G1	
5L	5Q	80	3,177	88	B2-U3-G1	36
	5C		3,261	91	B2-U3-G1	
	5R		3,141	87	B2-U3-G2	
	4F		3,098	86	B1-U3-G1	
	3W		3,041	84	B1-U3-G1	
	5D		2,925	81	B2-U3-G1	
	AD		2,933	81	B1-U3-G1	
6L	5Q	80	3,650	85	B2-U3-G1	43
	5C		3,747	87	B2-U3-G1	
	5R		3,608	84	B2-U3-G2	
	4F		3,559	83	B1-U3-G1	
	3W		3,494	81	B2-U3-G1	
	5D		3,360	78	B2-U3-G1	
	AD		3,369	78	B2-U3-G1	
8L	5Q	80	4,934	84	B3-U3-G1	59
	5C		5,065	86	B2-U3-G1	
	5R		4,878	83	B3-U3-G3	
	4F		4,811	82	B2-U3-G1	
	3W		4,724	80	B2-U3-G2	
	5D		4,543	77	B2-U3-G1	
	AD		4,555	77	B2-U3-G2	
10L	5Q	80	6,016	81	B3-U3-G1	74
	5C		6,176	83	B3-U3-G1	
	5R		5,948	80	B3-U3-G3	
	4F		5,866	79	B2-U3-G2	
	3W		5,759	78	B2-U3-G2	
	5D		5,539	75	B3-U3-G2	
	AD		5,554	75	B2-U3-G2	

**Note:** LED Chips are frequently updated therefore values are nominal.

# Opulence Small Post Top (OPS) Outdoor Decorative Post Top

Type: \_\_\_\_\_

 Have questions? Call us at (800) 436-7800

## PERFORMANCE

Electrical Data (Amps) <sup>1</sup>							
Lumen Package	Wattage	120V	208V	240V	277V	347V	480V
3L	20	0.17	0.1	0.08	0.07	0.06	0.04
5L	34	0.29	0.16	0.14	0.12	0.1	0.07
6L	41	0.35	0.2	0.17	0.15	0.12	0.09
8L	55	0.46	0.26	0.23	0.2	0.16	0.11
10L	70	0.59	0.34	0.29	0.25	0.2	0.15
12L	85	0.84	0.48	0.42	0.36	0.29	0.21
14L	100	0.84	0.48	0.42	0.36	0.29	0.21

Electrical Data (Amps) PC Amber <sup>1</sup>							
Lumen Package	Wattage	120V	208V	240V	277V	347V	480V
3L	22	0.18	0.11	0.09	0.08	0.06	0.05
5L	36	0.30	0.17	0.15	0.13	0.10	0.08
6L	43	0.36	0.21	0.18	0.16	0.12	0.09
8L	59	0.49	0.28	0.25	0.21	0.17	0.12
10L	74	0.62	0.36	0.31	0.27	0.21	0.15

Recommended Lumen Maintenance - OPS PT 10L <sup>2</sup>					
Ambient Temperature °C	Initial <sup>3</sup>	25K hrs. <sup>3</sup>	50K hrs. <sup>3</sup>	75K hrs. <sup>4</sup>	100K hrs. <sup>4</sup>
0-40	102%	99%	96%	93%	90%

<sup>1</sup> Electrical data at 25C (77F). Actual wattage may differ by +/-10%.

<sup>2</sup> Lumen maintenance values are calculated per TM-21 based on LM-80 data and in-situ luminaire testing.

<sup>3</sup> In accordance with IESNA TM-21-11, Projected Values represent interpolated value based on time durations that are within six times (6X) the IESNA LM-80-08 total test duration (in hours) for the device under testing (DUT) i.e. the packaged LED chip).

<sup>4</sup> In accordance with IESNA TM-21-11, Calculated Values represent time durations that exceed six times NA LM-80-08 total test duration (in hours) for the device under testing (DUT) i.e. the packaged LED chip).

# Opulence Small Post Top (OPS) Outdoor Decorative Post Top

Type: \_\_\_\_\_

 Have questions? Call us at (800) 436-7800

## PHOTOMETRICS

Luminaire photometry has been conducted by a NVLAP accredited testing laboratory in accordance with IESNA LM-79-08. As specified by IESNA LM-79-08 the entire luminaire is tested as the source resulting in a luminaire efficiency of 100%.

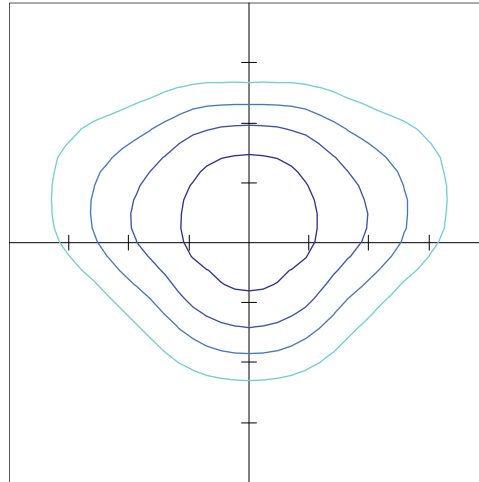
See the individual product page on <https://www.lsicorp.com/> for detailed photometric data.

### OPS-PT-14L-3W-40K8

Luminaire Data	
<b>Wide Distribution</b>	
Description	4000 Kelvin, 80 CRI
Delivered Lumens	12,634
Watts	100
Efficacy	126
IES Type	Type III - Very Short
BUG Rating	B3-U0-G1

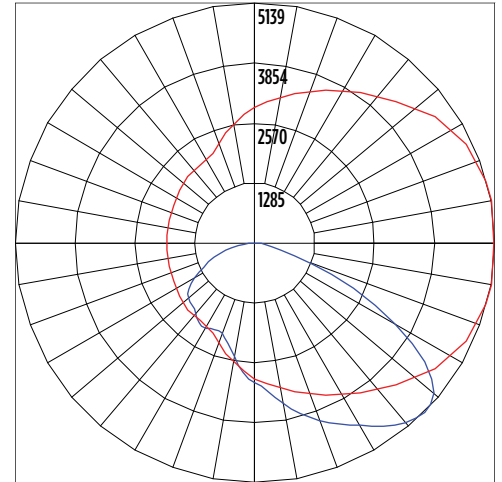
Zonal Lumen Summary		
Zone	Lumens	% Luminaire
Low (0-30°)	2,005	16%
Medium (30-60°)	6,474	51%
High (60-80°)	3,555	28%
Very High (80-90°)	302	2%
Uplight (90-180°)	298.2	2%
<b>Total Flux</b>	<b>12,634</b>	<b>100%</b>

#### ISO Footcandle



15' Mounting Height / 15' Grid Spacing  
 5 FC 2 FC 1 FC 0.5 FC

#### Polar Curve



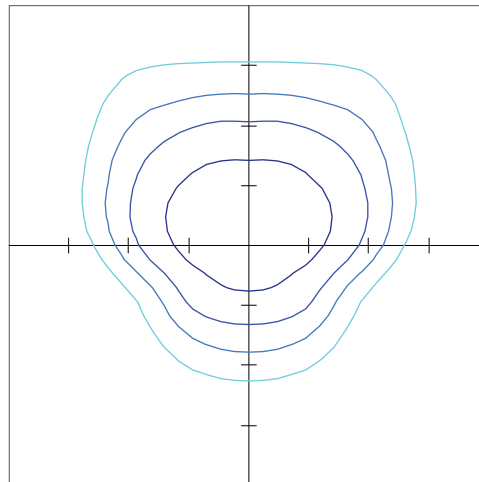
Vertical Plane Horizontal Cone

### OPS-PT-14L-4F-40K8

Luminaire Data	
<b>Wide Distribution</b>	
Description	4000 Kelvin, 80 CRI
Delivered Lumens	12,868
Watts	100
Efficacy	129
IES Type	Type IV - Very Short
BUG Rating	B2-U3-G2

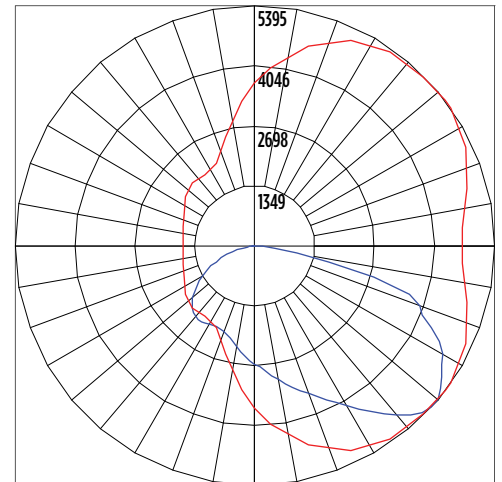
Zonal Lumen Summary		
Zone	Lumens	% Luminaire
Low (0-30°)	2,329	15%
Medium (30-60°)	10,634	55%
High (60-80°)	5,246	26%
Very High (80-90°)	208	2%
Uplight (90-180°)	0	2%
<b>Total Flux</b>	<b>18,417</b>	<b>100%</b>

#### ISO Footcandle



15' Mounting Height / 15' Grid Spacing  
 5 FC 2 FC 1 FC 0.5 FC

#### Polar Curve



Vertical Plane Horizontal Cone

# Opulence Small Post Top (OPS) Outdoor Decorative Post Top

Type : \_\_\_\_\_

 Have questions? Call us at (800) 436-7800

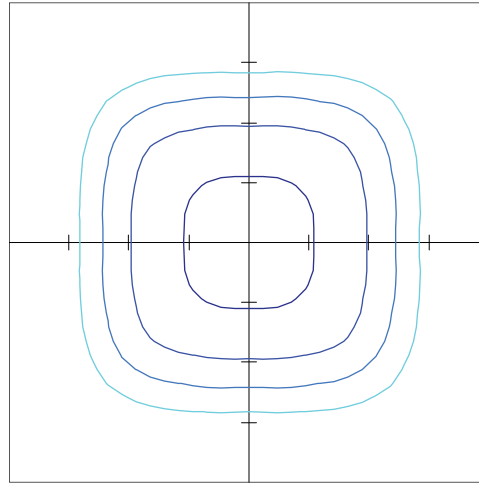
## PHOTOMETRICS

### OPS-PT-14L-5Q-40K8

Luminaire Data	
Wide Distribution	
Description	4000 Kelvin, 80 CRI
Delivered Lumens	13,197
Watts	100
Efficacy	132
IES Type	Type VS - Short
BUG Rating	B3-U3-G2

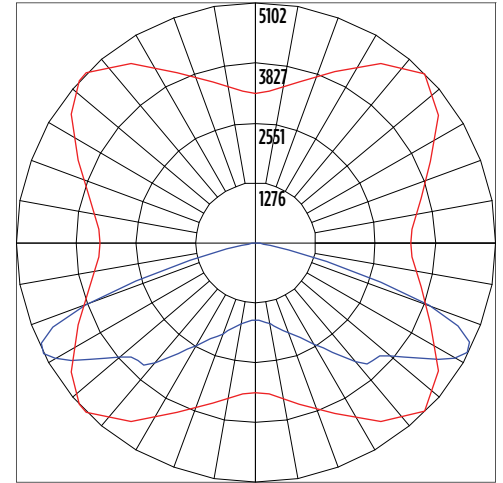
Zonal Lumen Summary		
Zone	Lumens	% Luminaire
Low (0-30°)	1,472	11%
Medium (30-60°)	7,284	55%
High (60-80°)	3,972	30%
Very High (80-90°)	183	1%
Uplight (90-180°)	286	2%
<b>Total Flux</b>	<b>13,198</b>	<b>100%</b>

### ISO Footcandle



15' Mounting Height / 15' Grid Spacing  
 5 FC 2 FC 1 FC 0.5 FC

### Polar Curve



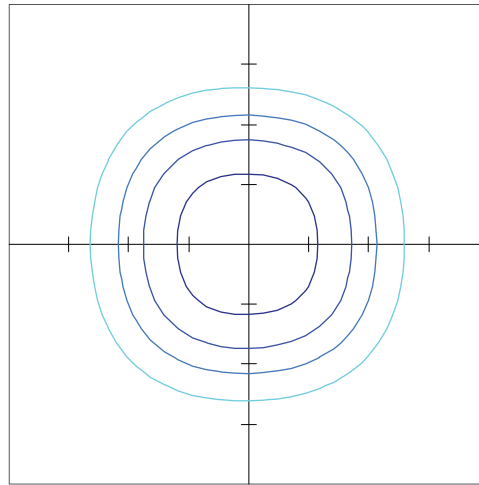
Vertical Plane Horizontal Cone

### OPS-PT-14L-5D-40K8

Luminaire Data	
Wide Distribution	
Description	4000 Kelvin, 80 CRI
Delivered Lumens	12,151
Watts	100
Efficacy	122
IES Type	Type VS - Very Short
BUG Rating	B3-U3-G2

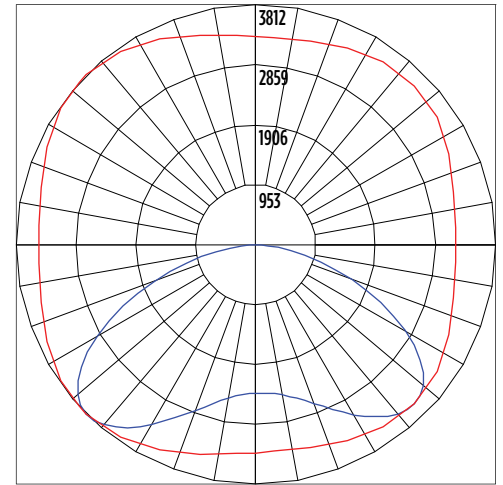
Zonal Lumen Summary		
Zone	Lumens	% Luminaire
Low (0-30°)	1,817	15%
Medium (30-60°)	6,781	56%
High (60-80°)	2,960	24%
Very High (80-90°)	304	3%
Uplight (90-180°)	289	2%
<b>Total Flux</b>	<b>12,151</b>	<b>100%</b>

### ISO Footcandle



15' Mounting Height / 15' Grid Spacing  
 5 FC 2 FC 1 FC 0.5 FC

### Polar Curve



Vertical Plane Horizontal Cone

# Opulence Small Post Top (OPS) Outdoor Decorative Post Top

Type: \_\_\_\_\_

 Have questions? Call us at (800) 436-7800

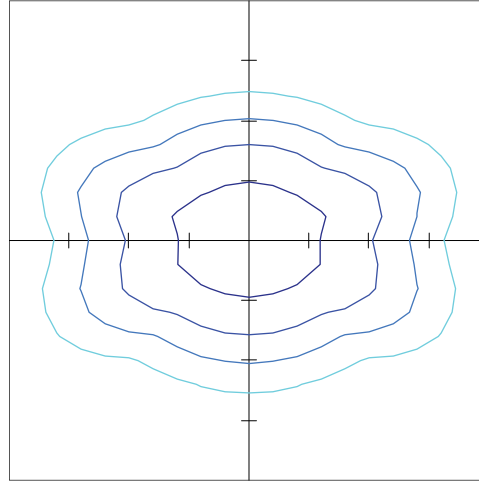
## PHOTOMETRICS

### OPS-PT-14L-5R-40K8

Luminaire Data	
Wide Distribution	
Description	4,000 Kelvin, 80 CRI
Delivered Lumens	13,197
Watts	100
Efficacy	132
IES Type	Type VS - Short
BUG Rating	B3-U3-G2

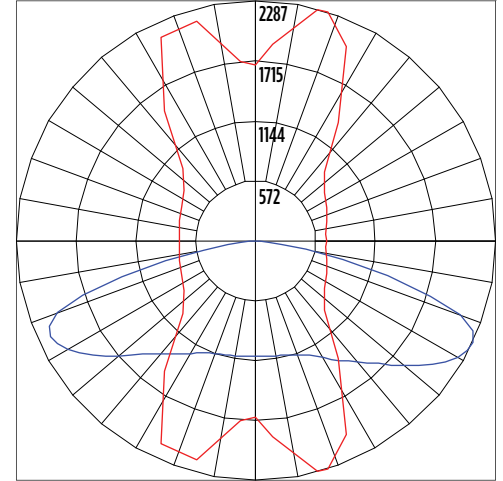
Zonal Lumen Summary		
Zone	Lumens	% Luminaire
Low (0-30°)	1,472	11%
Medium (30-60°)	7,284	55%
High (60-80°)	3,972	30%
Very High (80-90°)	183	1%
Uplight (90-180°)	286	2%
<b>Total Flux</b>	<b>13,198</b>	<b>100%</b>

ISO Footcandle



10' Mounting Height / 10' Grid Spacing  
 5 FC 2 FC 1 FC 0.5 FC

Polar Curve



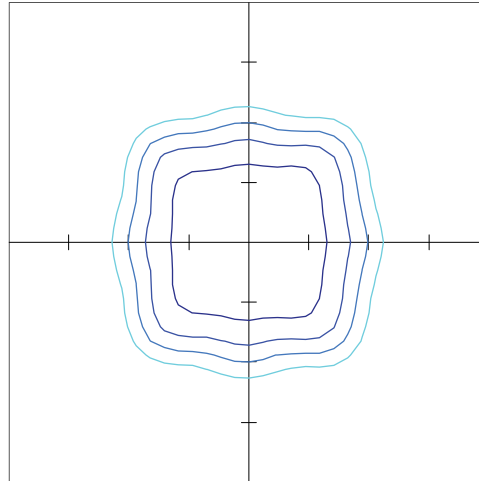
Vertical Plane Horizontal Cone

### OPS-PT-14L-5C-40K8

Luminaire Data	
Wide Distribution	
Description	4000 Kelvin, 80 CRI
Delivered Lumens	13,548
Watts	100
Efficacy	135
IES Type	Type VS - Very Short
BUG Rating	B3-U3-G1

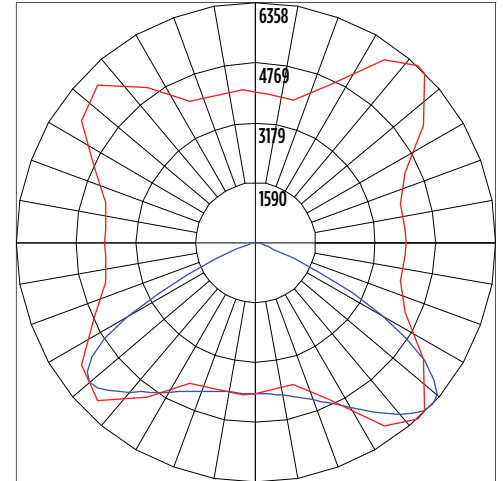
Zonal Lumen Summary		
Zone	Lumens	% Luminaire
Low (0-30°)	2,771	9%
Medium (30-60°)	8,838	43%
High (60-80°)	1,415	48%
Very High (80-90°)	146	1%
Uplight (90-180°)	379	0%
<b>Total Flux</b>	<b>13,548</b>	<b>100%</b>

ISO Footcandle



10' Mounting Height / 10' Grid Spacing  
 5 FC 2 FC 1 FC 0.5 FC

Polar Curve



Vertical Plane Horizontal Cone

# Opulence Small Post Top (OPS) Outdoor Decorative Post Top

Type: \_\_\_\_\_

 Have questions? Call us at (800) 436-7800

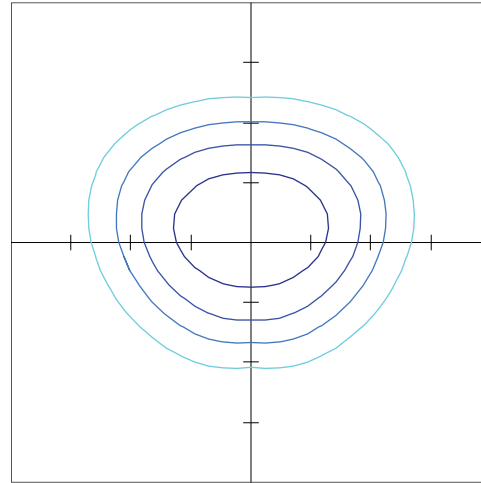
## PHOTOMETRICS

### OPS-PT-14L-AD-40K8

Luminaire Data	
Wide Distribution	
Description	4000 Kelvin, 80 CRI
Delivered Lumens	12,184
Watts	100
Efficacy	122
IES Type	Type II - Very Short
BUG Rating	B3-U3-G2

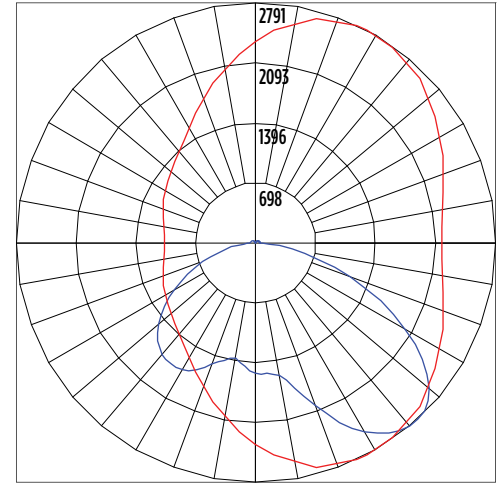
Zonal Lumen Summary		
Zone	Lumens	% Luminaire
Low (0-30°)	2,376	9%
Medium (30-60°)	6,708	43%
High (60-80°)	2,522	48%
Very High (80-90°)	265	1%
Uplight (90-180°)	314	0%
<b>Total Flux</b>	<b>12,184</b>	<b>100%</b>

### ISO Footcandle



15' Mounting Height / 15' Grid Spacing  
 5 FC   2 FC   1 FC   0.5 FC

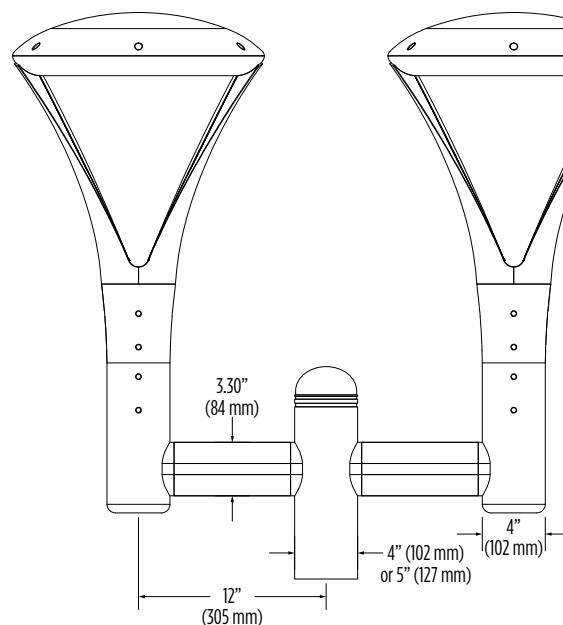
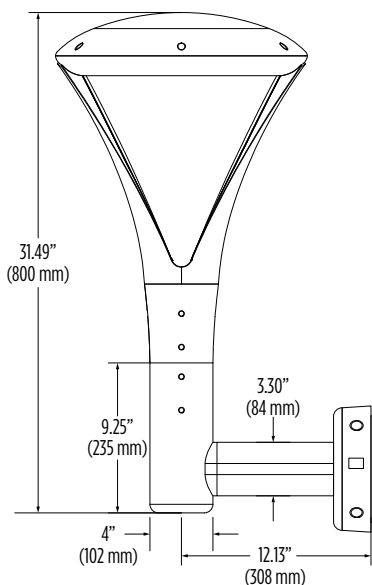
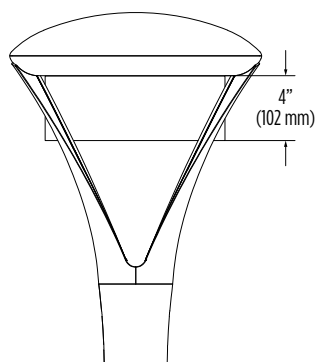
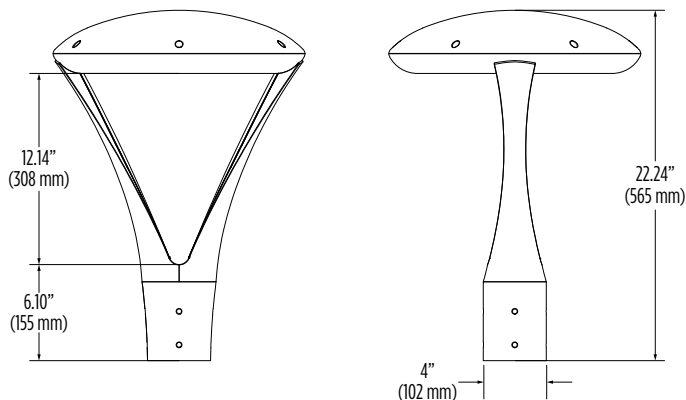
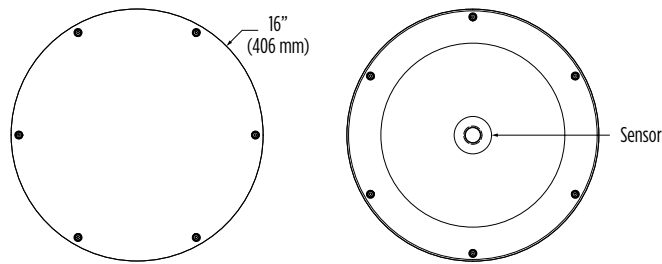
### Polar Curve



Vertical Plane   Horizontal Cone

## PRODUCT DIMENSIONS



**Opulence Small Post Top**  
(OPS PT)



**External Shield**

**Post Top Wall Mount Bracket**

**D180 Post Top Arm Bracket**

Luminaire EPA Chart - OPS PT		
Configuration	 PT Single	 PT D180°
EPA	0.75	1.75

1.5G rated Wall Mount Arm mounts to standard 4" steel J-Box (Supplied by others) and is provided with masonry anchors for extra support.

Optional D180 1.5G rated Arm Assembly Mounts to 4" Pole (D180 B3 Bolt-on). Consult factory for alternate configurations. Pole cap accessory not included.

# Opulence Small Post Top (OPS) Outdoor Decorative Post Top

Type : \_\_\_\_\_

 Have questions? Call us at (800) 436-7800

## CONTROLS

### Integral Bluetooth™ Motion and Photocell Sensor (IMSBTxL)

Slim low profile sensor provides multi-level control based on motion and/or daylight. Sensor controls 0-10 VDC LED drivers and is IP66 rated for cold and wet locations (-40°F to 167°F). Two unique PIR lenses are available and used based on fixture mounting height. All control parameters are adjustable via an iOS or Android App capable of storing and transmitting sensor profiles.

[Click here to learn more details about IMSBT](#)



LEVITON App



Apple



Android

### AirLink Blue (ALBCSx)

Wireless Bluetooth Mesh Outdoor Lighting Control System that provides energy savings, code compliance and enhanced safety/security for parking lots and parking garages. Three key components; Bluetooth wireless radio/sensor controller, Time Keeper and an iOS App. Capable of grouping multiple fixtures and sensors as well as scheduling time-based events by zone. Radio/Sensor Controller is factory integrated into Area/Site, Wall Mounted, Parking Garage and Canopy luminaires.

[Click here to learn more details about AirLink Blue](#)



AirLink Blue App



Apple

### Sensor Sequence of Operations

Standard Programming	On Event	Off Event	On Light Level	Dim Light Level	Daylight Harvesting	Delay To Off	Sensitivity
IMSBTxL	Motion	No Motion	100%	N/A	On; Auto Calibration	20 minutes	High

Operation	Description
<b>On Event</b>	Trigger that activates lights to turn on; either automatic via motion detected or manually activated via push of button.
<b>Off Event</b>	Trigger that activates lights to turn off; either automatic via no motion detected or manually activated via push of button.
<b>On Light Level</b>	The light level that the fixtures will turn on to when ON EVENT occurs.
<b>Dim Light Level</b>	The light level that the fixtures will dim down to when no motion is detected.
<b>Delay to Dim</b>	The amount of time after which no motion is detected that the fixtures will be triggered to dim down. This sequence is optional, and sensor can be programmed to only trigger the fixture to turn off by entering 100% in this field.
<b>Delay to Off</b>	The amount of time after which no motion is detected that the fixtures will be triggered to turn off. If delay to dim is part of the programmed functionality, this is the amount of time after which no motion is detected after the fixture have already dimmed down.
<b>Sensitivity</b>	The sensitivity can be set to high, medium, low, or auto where applicable. High will detect smaller, simple motions. Low will only detect larger more complex motions. Auto temperature calibration adjusts the PIR sensitivity as ambient temperature rises to increase detection of heat movement through the field of view.



## POLES & BRACKETS

LSI offers a full line of poles and mounting accessories to complete your lighting assembly. Aluminum and steel in both square and round shafts. In addition, LSI offers round tapered, fluted and hinge based poles. Designed and engineered for durability and protected with our oven baked DuraGrip Protection System. Also available with our DuraGrip+ Protection system for unmatched corrosion resistance and an extended warranty. American made in our Ohio facility with industry leading lead times.

[Click here to learn more details about poles & brackets](#)



### Internal Flush Mount Adaptor 4" Round Straight Pole

Optional flush mount accessory slips inside the top of a 4" round pole for a virtually seamless transition from pole to luminaire. Painted with LSI - Duragrip paint for unmatched corrosion resistance.



### Square Internal Tenon Adaptor

The Square Pole Tenon 4", 5", & 6" adaptors allow for the Opulence Post Top to be mounted on a square open top steel pole. Tenon adaptors slice into pole and bolt through the securing the tenon to the pole. These tenons are made hearty steel tubing, are double-welded and are painted with LSI Duragrip paint. Shipped with mounting hardware assembled.



### Round External Tenon Adaptor

The Round Pole Top Tenon adaptors provide the right size tenon to ensure proper mounting of the Opulence Post Top on the Round tapered or straight poles. These tenons are made from heavy steel tubing, are double-welded, and are painted with LSI Duragrip paint. Shipped with mounting hardware assembled.



### Spun Aluminum Collar Round Straight Pole

Optional one-piece spun aluminum collar for 4" or 5" diameter straight round poles. Features durable, high quality construction with aesthetically pleasing design that slips over the pole for increased theft deterrent.



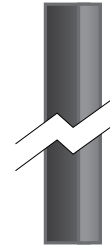
### Contemporary Base Cover Tapered Pole

Optional contemporary base cover is cast from 356 alloy aluminum and provided with an access door. Available with 10' - 18' round taper pole shafts. The complete assembly is heat-treated to a T6 temper.



### Decorative Base Cover Round Straight Pole

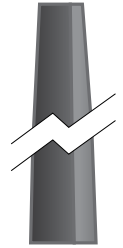
Optional decorative base cover has a two-piece die cast construction with stainless steel fasteners. Base cover is polyester powder coated to match pole. GBC base cover fits 4" and 5" diameter straight round poles. Includes 4" round pole adaptor molded from black silicone rubber.



**Square Pole**  
14'-30'



**Round Pole**  
10'-30'



**Tapered Pole**  
10'-30'



# Slim Wall Pack (WPSLS)

## Small LED Slim Wall Pack



### OVERVIEW

Lumen Package (lm)	1,000 - 4,000
Wattage Range (W)	12 - 40
Efficacy Range (LPW)	98 - 122
Weight lbs (kg)	3.8 (1.7)

### QUICK LINKS

## FEATURES & SPECIFICATIONS

### Construction

- Rigid Precision Die cast-aluminum housing for durability and consistency.
- Vertical fins serve as a heat sink and resist accumulation of dust and debris.
- The Patent Pending thermal stacking heat removal technology extracts heat from within the housing moving it away from LEDs and integral components.
- Luminaire hinges open from the bottom to prevent leakage.
- Luminaire is proudly manufactured and tested in the U.S.
- Fixtures are finished with LSI's DuraGrip® polyester powder coat finishing process. The DuraGrip finish withstands extreme weather changes without cracking or peeling. Other standard LSI finishes available. Consult factory.

### Optical System

- High-performance Chip On Board (COB) LEDs behind clear tempered glass for maximum light output.
- 3000K | 4000K | 5000K color temperatures.
- Minimum CRI of 71.
- Zero uplight.

### Electrical

- High-performance driver features over-voltage, under voltage, short-circuit and over temperature protection.
- 0-10 volt dimming (10% - 100%) standard.
- Standard Universal Voltage (120-277 Vac) Input 50/60 Hz
- L70 Calculated Life: >100k Hours
- Total harmonic distortion: <20%
- Power factor: >.85
- Input power stays constant over life.
- Driver Off-State Power is 0 watts.
- Chip On Board (COB) LEDs with integrated circuit board mounted directly to the housing to maximize heat dissipation and promote long life.
- Components are fully encased in potting material for moisture resistance. Driver complies with FCC standards. Driver and key electronic components can easily be accessed.
- Minimum 2.5kV surge rating
- Operating temperature: -40°C to +50°C (-40°F to +122°F).

### Controls

- Optional 120V electronic button Photocontrol.
- Apertures for field or factory installed photocontrol.

### Installation

- Surface mounts direct to J-box or wall.
- Features a bubble level and removable hinged face frame for ease of installation.

### Warranty

- LSI luminaires carry a 5-year limited warranty. Refer to <https://www.lsicorp.com/resources/terms-conditions-warranty/> for more information.
- 1 Year warranty on optional Button Photocell.

### Listings

- Listed to UL 1598 and UL 8750.
- American Recovery and Reinvestment Act Funding Compliant.
- CSA Listed
- RoHS Compliant.
- State of California Title 24.
- Suitable For Wet Locations.
- DesignLights Consortium® (DLC) Premium qualified product. Not all versions of this product may be DLC Premium qualified. Please check the DLC Qualified Products List at [www.designlights.org/QPL](http://www.designlights.org/QPL) to confirm which versions are qualified.



# Slim Wall Pack (WPSLS)

Type: \_\_\_\_\_

 **Have questions?** Call us at (800) 436-7800

## ORDERING GUIDE

TYPICAL ORDER EXAMPLE: WPSLS LED 1L UNV DIM 30 PCI 120 BZA				
Prefix	Lumen Package	Color Temperature	Controls	Finish
WPSLS - Small Slim Wall Pack	<b>1L</b> - 1,000 <b>2L</b> - 2,000 <b>4L</b> - 4,000	<b>50</b> - 5000K <b>40</b> - 4000K <b>30</b> - 3000K	<b>PCI 120</b> - 120V Photocontrol <b>PCI 208-277</b> - 208-277V Photocontrol	<b>WHT</b> - White <b>BLK</b> - Black <b>BRZ</b> - Bronze



**Need more information?**  
[Click here for our glossary.](#)

**Have additional questions?**  
 Call us at (800) 436-7800



## PERFORMANCE

Delivered Lumens							
Lumen Package	3000K		4000K		5000K		Wattage
	Delivered Lumens	Efficacy	Delivered Lumens	Efficacy	Delivered Lumens	Efficacy	
<b>1L</b>	1206	97.79	1206	97.79	1366	111.11	12
<b>2L</b>	2125	107.2	2125	107.2	2418	121.97	20
<b>4L</b>	3712	100.18	3712	100.18	4394	116.21	40

LED		HID			Annual Savings
Wattage	Annual Cost	Source Wattage	Total Wattage Used	Annual Cost	
<b>12</b>	\$5	50	72	\$52	\$47
		70	90	\$59	\$54
<b>20</b>	\$9	50	72	\$52	\$43
		70	90	\$59	\$50
		100	129	\$77	\$68
<b>40</b>	\$18	100	129	\$77	\$59
		150	185	\$100	\$82
		175	210	\$112	\$94

# Slim Wall Pack (WPSLS)

Type : \_\_\_\_\_

 Have questions? Call us at (800) 436-7800

## PHOTOMETRICS

Luminaire photometry has been conducted by a NVLAP accredited testing laboratory in accordance with IESNA LM-79-08. As specified by IESNA LM-79-08 the entire luminaire is tested as the source resulting in a luminaire efficiency of 100%.

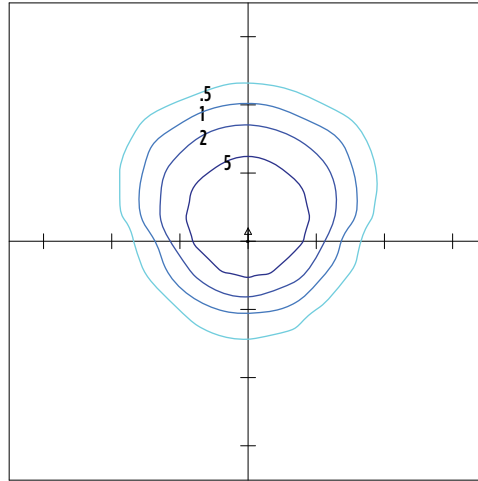
See the individual product page on <https://www.lsicorp.com/> for detailed photometric data.

### WPSLS-4L-40

Luminaire Data	
<b>Wide Distribution</b>	
Description	4000 Kelvin, 70 CRI
Delivered Lumens	4,053
Watts	37.0
Efficacy	109
IES Type	Type III - Very Short
BUG Rating	B1-U0-G1

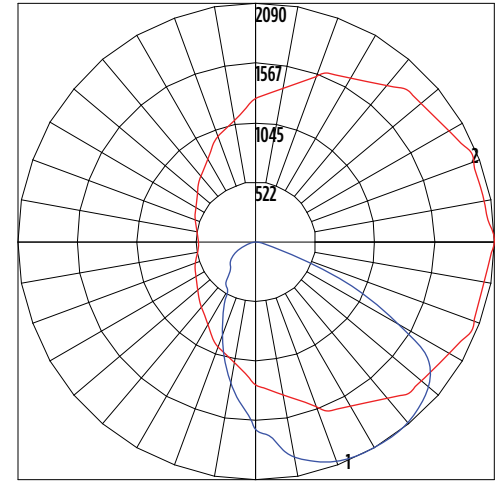
Zonal Lumen Summary		
Zone	Lumens	% Luminaire
Low (0-30°)	1239.6	30.6%
Medium (30-60°)	2246.2	55.4%
High (60-80°)	559.6	13.8%
Very High (80-90°)	7.3	0.2%
Uplight (90-180°)	0.0	0.0%
<b>Total Flux</b>	<b>4052.7</b>	<b>100%</b>

ISO Footcandle



10' Mounting Height / 10' Grid Spacing  
■ 10 FC ■ 5 FC ■ 2 FC ■ 1 FC

Polar Curve



■ Vertical Plane ■ Horizontal Cone

## PRODUCT DIMENSIONS

